

2011

PRICE SCHEDULE

This Price Schedule shows the most widely used products — please contact us if you don't see what you need. We also manufacture drum hoists, line shafts, point hoists, and custom hoists of all types.

Please include a Field Check Worksheet with your order to avoid delay (see page 14).

J.R. Clancy rigging equipment is not to be used for lifting or flying humans.

AUTOMATED EQUIPMENT	2
Control Systems	2
PowerLift® E-Series Performance Hoists	2
PowerLift® T-Series Hoists	2
PowerAssist® Hoist	2
RIGGING EQUIPMENT	3
Head Blocks – J-Guide™/T-Bar	3
Loft Blocks – 1/4" Cable Type	4
Loft Blocks – 3/16" Cable Type	4
Rope Blocks – 3/4"	5
Mule Blocks	6
Floor Blocks	6
Counterweight Arbors	7
Counterweight	8
Locking Rails	8
Index Lights & Supports	8
Rope Locks	8
Guide Tracks	9
Battens	9
Pipe Clamps	9
Forged Turnbuckles	9
RIGGING ACCESSORIES	10
Anchor Shackles	10
Thimbles	10
Nicopress® Sleeves	10
Forged Cable Clips	10
Wire Rope	11
Miscellaneous Rigging Hardware	11
Chain	11
Light Duty Blocks	11
Synthetic Rope	12
Rope Rigging Hardware	12
Curtain Tracks	12
FIRE SAFETY CURTAINS & RIGGING	13
Smoke Pockets	13
Fire Curtain Hardware	13
Fire Curtain Winches	13
FIELD CHECK WORKSHEET	14
DOING BUSINESS WITH J.R. CLANCY	15

Control Systems

A complete family of controls to meet your requirements. See back cover for more information.

Description	Weight (lbs)	Product code
SceneControl® 500, Wall or Table Mounted		050-SC500
SceneControl® 500, with Pedestal		050-SC500P
Altus™ Control System, Desktop Unit		050-ALTUS
Add for Altus™ Pedestal		050-ALTPED
Add for Altus™ Wall Mount Bracket		050-ALTWM
SureTarget™ 10		050-ST10
SureTarget™ Single Channel Position Control		050-ST
Single Channel Push Button Controller	13	050-CS1
Two Channel Push Button Controller	15	050-CS2
Three Channel Push Button Controller	15	050-CS3



050-ALTUS

Altus™

PowerLift® E-Series Performance Hoists

Variable speed hoists for all your performance needs – now with electric load brake.

Description	Weight (lbs)	Product code
Use with SceneControl® 500, Altus™, or SureTarget™ 10 Controllers		
0-20 fpm, 2,000 lb. Capacity, 1.5 hp, 65' Travel	750	018-P0220VE
0-120 fpm, 1,200 lb. Capacity, 5 hp, 65' Travel	770	018-P1212VE
0-120 fpm, 2,000 lb. Capacity, 7.5 hp, 65' Travel	800	018-P1220VE
0-180 fpm, 1,200 lb. Capacity, 7.5 hp, 65' Travel	800	018-P1812VE
0-180 fpm, 1,750 lb. Capacity, 10 hp, 65' Travel	800	018-P1817VE

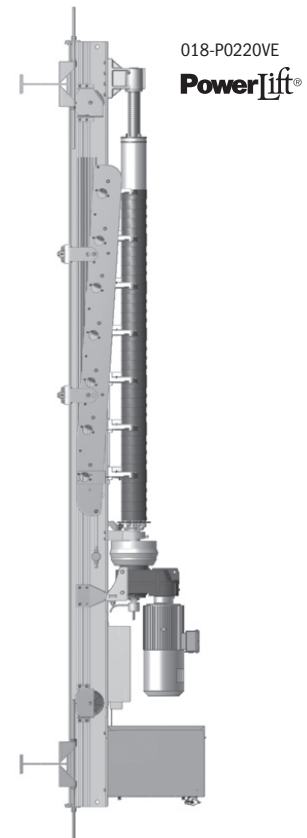


050-CS3
Three Channel Station

PowerLift® T-Series Hoists

Fixed speed hoist for all your utility functions – with built in SureTarget™ controller for precise positioning.

Description	Weight (lbs)	Product code
20 fpm, 2,000 lb. Capacity, 1.5 hp, 65' Travel (Includes SureTarget™ Position Controller)	750	018-P0220T
PowerLift® Options		
Load Monitoring	15	018-PLLOAD
Cover – May be required by safety codes	15	014-933



018-P0220VE

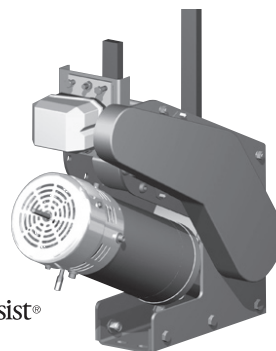
PowerLift®

PowerAssist® Hoist

An easy, affordable way to motorize existing counterweight sets.

Description	Weight (lbs)	Product code
25 fpm, 2,000 lb. Set Capacity, Single Purchase	250	018-PA
25 fpm, 2,000 lb. Set Capacity, Double Purchase	425	018-PADP

Prices upon request.



018-PA

PowerAssist®

Head Blocks – J-Guide™ /T-Bar

Description	CAST IRON			NYLON		
	Weight (lbs)	Product Code	List Price (Ea)	Weight (lbs)	Product Code	List Price (Ea)
Single Purchase – Upright Head Blocks						
8", 6 Line	46	1CS-60855R	555.00			
8", 8 Line	52	1CS-80855R	655.00			
12", 6 Line	72	1CS-61255R	610.00 Q	40	1NS-61255R	575.00
12", 8 Line	79	1CS-81255R	660.00 Q	41	1NS-81255R	605.00
Single Purchase – Underhung Head Blocks						
8", 6 Line	46	1CS-60859R	555.00			
8", 8 Line	52	1CS-80859R	655.00			
12", 6 Line	74	1CS-61259R	610.00 Q	40	1NS-61259R	575.00
12", 8 Line	80	1CS-81259R	660.00 Q	41	1NS-81259R	605.00
Double Purchase – Upright Head Blocks						
12", 6 Line	76	1CD-61255R	690.00	44	1ND-61255R	645.00
12", 8 Line	84	1CD-81255R	730.00	46	1ND-81255R	705.00
Double Purchase – Underhung Head Blocks						
12", 6 Line	78	1CD-61259R	690.00	44	1ND-61259R	645.00
12", 8 Line	85	1CD-81259R	730.00	46	1ND-81259R	705.00

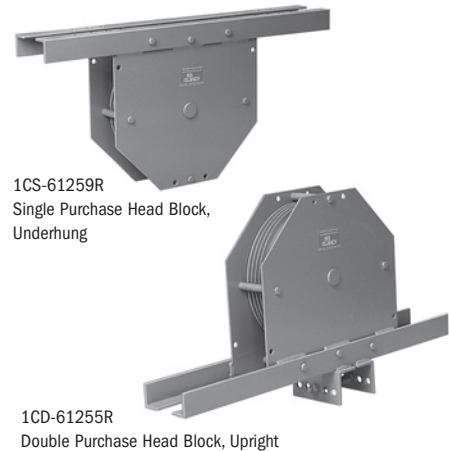
Head Block Options – See page 14 for required ordering dimensions

Description	Weight (lbs)	Product Code	List Price (Ea)
Mounting Clip, All Sizes – 2 required per block	2.5	070-CLIP	14.00 Q
Mounting Angle for Underhung Head Block – 2 required per block	9	070-CA	14.00 Q
Add Wire Guide Tieoffs – Change the last letter on the product code from "R" to "W"			N/C
Special Grooving and Sheave Material – Available upon request			P.O.R.

Q – Quick Ship – See page 15 for details

Head Block Components

- Cast iron or molybdenum disulphied filled nylon sheave.
 - 8" and 12" blocks have 1/4" cable grooves and 3/4" rope groove, with 1" tapered roller bearings.
- Mounting Hardware:**
- Order separately from Head Block Options.
 - Upright head blocks require two mounting clips, #070-CLIP – specify beam thickness.
 - Underhung head blocks require two mounting angles, #070-CA – specify beam thickness and spacing. Welding recommended.
 - Clips and angles are furnished with bolts, flat washers, and lock nuts.



Loft Blocks – 1/4" Cable Type

Description	CAST IRON			NYLON		
	Weight (lbs)	Product Code	List Price (Ea)	Weight (lbs)	Product Code	List Price (Ea)
19 Series						
8", 1 Line, Ball Bearing, 3/8" Throat	14	2CC-10819R	160.00	9	2NC-10819R	105.00 Q
8", 2 Line, Ball Bearing, 3/8" Throat	14	2CC-20819R	180.00	10	2NC-20819R	190.00
8", 4 Line, Tapered Bearing, 3/8" Throat	34	3CC-40819R	380.00	25	3NC-40819R	330.00
8", 8 Line, Tapered Bearing, 3/8" Throat	44	3CC-80819R	490.00	28	3NC-80819R	450.00
12", 1 Line, Tapered Bearing, 3/8" Throat	47	3CC-11219R	450.00			
Universal Series						
8", 1 Line, Ball Bearing	20	2CC-10855R	155.00	15	2NC-10856R	100.00 Q
8", 2 Line, Ball Bearing	20	2CC-20855R	175.00	16	2NC-20855R	185.00
8", 1 Line, Tapered Bearing	20	3CC-10855R	180.00	15	3NC-10856R	125.00
8", 2 Line, Tapered Bearing	20	3CC-20855R	205.00	16	3NC-20855R	210.00
8", 4 Line, Tapered Bearing	40	3CC-40855R	380.00	31	3NC-40855R	350.00
8", 8 Line, Tapered Bearing – Upright	52	3CC-80855R	490.00	32	3NC-80855R	450.00
8", 8 Line, Tapered Bearing – Underhung	52	3CC-80859R	490.00	32	3NC-80859R	450.00
8", 10 Line, Tapered Bearing – Upright	55	3CC-100855R	P.O.R.			
8", 10 Line, Tapered Bearing – Underhung	55	3CC-100859R	P.O.R.			
12", 1 Line, Tapered Bearing	50	3CC-11255R	460.00			
12", 8 Line, Tapered Bearing – Upright	74	3CC-81255R	670.00			
12", 8 Line, Tapered Bearing – Underhung	74	3CC-81259R	670.00			
16", 1 Line, Tapered Bearing – Steel Sheave	110	3CC-11655R	1,700.00			

Loft Blocks – 3/16" Cable Type

Description	Description	NYLON		
		Weight (lbs)	Product Code	List Price (Ea)
19 Series				
8", 1 Line, Ball Bearing, 3/8" Throat		9	2NP-10819R	105.00 Q
8", 8 Line, Tapered Bearing, 3/8" Throat		28	3NP-80819R	475.00
Universal Series				
8", 1 Line, Ball Bearing		15	2NP-10855R	100.00 Q
8", 8 Line, Tapered Bearing – Upright		32	3NP-80855R	475.00
8", 8 Line, Tapered Bearing – Underhung		32	3NP-80859R	475.00

Q - Quick Ship - See page 15 for details



2NC-10856I3
Universal Loft Block with Quiet Idler™



4NR-50855R
Multi-Sheave Block



2CC-10819R
19 Series Loft Block

Rope Blocks – 3/4"

Description	CAST IRON			NYLON		
	Weight (lbs)	Product Code	List Price (Ea)	Weight (lbs)	Product Code	List Price (Ea)
Underhung Loft Blocks – 19 Series						
8", 1 Line, Ball Bearing, 3/8" Throat	10	2CR-10819R	160.00	7	2NR-10819R	105.00
Universal Loft Block – 55 Series – May be upright or underhung						
8", 1 Line, Ball Bearing	18	2CR-10855R	155.00	15	2NR-10855R	100.00
Multi Sheave Blocks – 55 Series – May be upright or underhung						
8", 2 Sheave, Ball Bearing, 3/4" Rope Groove	27	4CR-20855R	390.00	21	4NR-20855R	295.00
8", 3 Sheave, Ball Bearing, 3/4" Rope Groove	35	4CR-30855R	470.00	26	4NR-30855R	345.00
8", 4 Sheave, Ball Bearing, 3/4" Rope Groove	42	4CR-40855R	560.00	31	4NR-40855R	395.00
8", 5 Sheave, Ball Bearing, 3/4" Rope Groove	50	4CR-50855R	655.00	36	4NR-50855R	435.00
Multi Sheave Block Options						
1/4" Cable Grooves – Change 3rd character in the product code prefix from an "R" to a "C"						N/C

Loft Block Options – See page 14 for required ordering dimensions

Description	Weight (lbs)	Product Code	List Price (Ea)
Clip Pack – 4 J-Bolts, 2 Clips, 1 U-Clip & Hardware	3.5	070-CP	35.00
Mounting Clip, All Sizes – 2 required per block	2.5	070-CLIP	14.00 Q
Unistrut® Mounting Bracket (1 line 55 series blocks) – 2 required per block	1	070-UNI	14.00 Q
Pivot Bracket (For beams 4" – 8-1/2" wide for single line 55 series blocks) – Includes clips	12	070-PIVOT	115.00
Add Tieoff for Wire Guided Clew	1	3CC-HBTO	40.00
Add Idlers to 8" Underhung Blocks – Change last letter of product code to "I3" or "I6" to indicate 3 or 6 idlers	1		30.00
Special Grooving and Sheave Material – Available upon request			P.O.R.

Q - Quick Ship – See page 15 for details

Loft Block Components

- 17mm sealed precision ball bearings or tapered roller bearings in 8" blocks.
 - 1" tapered roller bearings in 12" and 16" blocks and in 8" blocks with 4 or 8 cable grooves.
- Mounting Hardware: 19 Series Loft Blocks**
- 19 Series blocks include angle clips.
 - Blocks have a 3/8" throat with a grip range of 4" – 9". Change the last letter of product code from "R" to "U" for a 3/4" throat with a 4-1/8" – 10" grip range.
- Mounting Hardware: 55 Series Loft Blocks**
- 55 Series blocks require two mounting clips – specify beam thickness. Clips are furnished with bolts, flat washers, and lock nuts.
 - Blocks have a 24" base angle with universal punching for a grip range up to 20".
 - Brackets are available for Unistrut® mounting, #070-UNI.
 - Pivot adapters bolt to the base angles and include mounting flanges – specify beam thickness. Pivot adapters may need to be welded in place, #070-PIVOT.
 - 8-Line blocks have the base angles turned in, requiring different upright and underhung models.

⚠ CAUTION

Clips can be furnished for mounting and/or alignment of blocks. Under certain conditions, it may be necessary to weld blocks to structure due to imposed loads.

Mule Blocks

Description	Weight (lbs)	Product Code	List Price (Ea)
8", 1 Line, Ball Bearing, Cast Iron	30	5C2-10812C	275.00
8", 1 Line, Tapered Bearing, Cast Iron	30	5C3-10812C	350.00
12", 1 Line, Tapered Roller Bearing, Cast Iron, 1/4" Groove	60	5C3-11212C	500.00
12", 1 Line, Tapered Roller Bearing, Cast Iron, 5/16" Groove	60	5C3-11212C-31	600.00
12", 1 Line, Tapered Roller Bearing, Cast Iron, 3/8" Groove	60	5C3-11212C-38	600.00
12", 1 Line, Tapered Roller Bearing, Nylon, 1/4" Groove	45	5N3-11212C	500.00
8", 2 Line, Ball Bearing, Cast Iron	32	5C2-20812C	280.00
8", 2 Line, Tapered Bearing, Cast Iron, 1/4" Groove	32	5C3-20812C	350.00
8", 2 Line, Tapered Bearing, Cast Iron, 3/16" Groove	32	5C3-20812P	300.00
12", 2 Line, Tapered Roller Bearing, Cast Iron, 1/4" Groove	65	5C3-21212C	1050.00
8", 4 Line, Tapered Roller Bearing, Cast Iron, 1/4" Groove	50	5C3-40812C	500.00
8", 4 Line, Tapered Roller Bearing, Cast Iron, 3/16" Groove	50	5C3-40812P	450.00
12", 4 Line, Tapered Roller Bearing, Cast Iron, 1/4" Groove	75	5C3-41212C	500.00
8", 8 Line, Tapered Roller Bearing, Cast Iron, 1/4" Groove	60	5C3-80812C	550.00
8", 8 Line, Tapered Roller Bearing, Nylon, 1/4" Groove	60	5N3-80812P	600.00
12", 8 Line, Tapered Roller Bearing, Cast Iron, 1/4" Groove	90	5C3-81212C	650.00
12", 8 Line, Tapered Roller Bearing, Cast Iron, 3/16" Groove	90	5C3-80812P	500.00

Mule Blocks Options

Mule Block Swivel	15	5C2-SWIVEL	325.00
Mule Block Stand for 1 & 2 Line Blocks	30	5C2-850S	350.00
Mule Block Stand for 4 & 8 Line Blocks	—	5C2-850HS	800.00
Mounting Clips, All Sizes	2.5	070-CLIP	14.00 Q
Add Tieoff for Wire Guided Clew	1	3CC-HBTO	40.00

Floor Blocks

Description	Weight (lbs)	Product Code	List Price (Ea)
"Welch" Tension Floor Blocks			
10", Cast Iron	41	6CR-1015	250.00 Q
10", Cast Iron (<i>Less than 6" centers</i>)	43	6CR-1015U	415.00
12", Cast Iron	48	6CR-1215	350.00
Combination Floor Blocks			
8", Fixed Nylatron Block with Rope Lock	46	6NR-118	410.00
10", Adjustable Cast Iron Block with Rope Lock	71	6CR-218	545.00 Q
12", Adjustable Cast Iron Block with Rope Lock	80	6CR-418	700.00
Miscellaneous			
8", Wire Guide Floor Block, 8" Cast Iron	18	6CR-855M	180.00
8", Wire Guide Floor Block, 8" Nylatron	15	6NR-855M	130.00
Floor Block Clip Package (<i>Required for 855M Series blocks</i>)	3.5	070-FBCP	30.00
12", Cast Iron Sliding Tension Pulley	40	6CR-1218	660.00
Floor Block Options			
Adder for 7", 9" or 10" Shoes (<i>Order 2 per block</i>)	—	<i>Specify Size</i>	15.00

Q - Quick Ship - See page 15 for details

Mule Block Components

- Cast iron sheave.
- 1" tapered roller bearings on all blocks.
- 1/4" cable grooves are standard.

Mounting Clips:

- Clips with bolts, flat washers, and lock nuts are available.
- Mule blocks need to be welded in place after alignment.

Floor Block Components

- 3/4" rope groove standard.

Mounting Shoes:

- "Welch" tension blocks are furnished with shoes. Specify 6" or 8" centers when ordering.



Counterweight Arbors

Description	Weight (lbs)	Product Code	List Price (Ea)
J-Guide™/T-Bar Counterweight Arbor, Single Purchase – 15 Series			
4', J-Guide™/T-Bar Arbor	56	007-15X04	380.00
5', J-Guide™/T-Bar Arbor	63	007-15X05	395.00
6', J-Guide™/T-Bar Arbor	71	007-15X06	410.00 Q
7', J-Guide™/T-Bar Arbor	78	007-15X07	425.00
8', J-Guide™/T-Bar Arbor	85	007-15X08	440.00 Q
9', J-Guide™/T-Bar Arbor	92	007-15X09	455.00
10', J-Guide™/T-Bar Arbor	99	007-15X10	470.00
11', J-Guide™/T-Bar Arbor	106	007-15X11	535.00
12', J-Guide™/T-Bar Arbor	113	007-15X12	550.00
13', J-Guide™/T-Bar Arbor	122	007-15X13	565.00
J-Guide™/T-Bar Counterweight Arbor, Double Purchase – 15 Series			
6 Line Arbor, 6'	113	008-615X06	990.00
6 Line Arbor, 7'	120	008-615X07	1005.00
6 Line Arbor, 8'	127	008-615X08	1020.00
6 Line Arbor, 9'	134	008-615X09	1035.00
6 Line Arbor, 10'	141	008-615X10	1050.00
6 Line Arbor, 11'	148	008-615X11	1235.00
6 Line Arbor, 12'	155	008-615X12	1250.00
6 Line Arbor, 13'	163	008-615X13	1265.00
8 Line Arbor, 6'	119	008-815X06	1045.00
8 Line Arbor, 7'	126	008-815X07	1050.00
8 Line Arbor, 8'	133	008-815X08	1075.00
8 Line Arbor, 9'	140	008-815X09	1090.00
8 Line Arbor, 10'	147	008-815X10	1105.00
8 Line Arbor, 11'	154	008-815X11	1250.00
8 Line Arbor, 12'	161	008-815X12	1275.00
Counterweight Arbor Options			
Adder for Steel/UHMW Shoes 6", 7", 8", 9", 10" (Order 2 per arbor)		Specify Size	60.00
Special Shoes, Grooves and Materials – Available upon request			P.O.R.
Adder for Roller Guides (Order 2 per arbor)		007-TBRG	95.00
Lattice Track Counterweight Arbor, Single Purchase – 84 Series			
4', Lattice Track Arbor	35	007-84X04	655.00
5', Lattice Track Arbor	38	007-84X05	660.00
6', Lattice Track Arbor	41	007-84X06	665.00
7', Lattice Track Arbor	44	007-84X07	670.00
8', Lattice Track Arbor	47	007-84X08	675.00
Wire Guide Counterweight Arbor, Single Purchase – 85 Series			
4', Wire Guide Arbor	34	007-85X04	470.00
5', Wire Guide Arbor	37	007-85X05	480.00
6', Wire Guide Arbor	40	007-85X06	490.00
7', Wire Guide Arbor	43	007-85X07	500.00
8', Wire Guide Arbor	46	007-85X08	510.00

Q - Quick Ship - See page 15 for details

Counterweight Arbor Components

- Arbors are shipped assembled to reduce installation time
- J-Guide™/T-Bar arbors are provided with self-adhesive numbers.

Double Purchase:

- Cast iron sheaves.
- 1/4" cable grooves and 3/4" rope groove.
- 1" tapered roller bearings in top sheave.

Guides:

- Adjustable shoes for 6" - 8" centers are included with 15 Series Arbors.
- Bronze guides are furnished on 84 Series arbors.



007-15X04
J-Guide™/T-Bar Arbor



007-84X04
Lattice Track Arbor

Counterweight

Description	Weight (lbs)	Product Code	List Price (Lb)
4" Wide X 1" Steel	12	009-4X1	1.00 * Q
4" Wide X 2" Steel	25	009-4X2	1.00 * Q
6" Wide X 1" Steel	21	009-6X1	1.00 * Q
6" Wide X 2" Steel	42	009-6X2	1.00 * Q

*Counterweights are sold in full pallets of 1,000 lbs. only

Locking Rails

Description	Weight (lbs)	Product Code	List Price
J-Guide™ Locking Rail, Single Purchase, 6" Centers	18	011-538R6	140.00 ft.
J-Guide™ Locking Rail, Single Purchase, 8" Centers	18	011-538R8	140.00 ft.
J-Guide™ Locking Rail, Double Purchase, 6" Centers	18	011-538D6	240.00 ft.
J-Guide™ Locking Rail, Double Purchase, 8" Centers	18	011-538D8	240.00 ft.
Wire Guide Locking Rail, Single Purchase, 6" Centers	31	011-518R6	275.00 ft.
Wire Guide Locking Rail, Single Purchase, 8" Centers	31	011-518R8	275.00 ft.
Gallery Mounted Locking Rail, 6" Centers	20	011-558R6	200.00 ft.
Gallery Mounted Locking Rail, 8" Centers	20	011-558R8	200.00 ft.
Mobile Capstan Winch, 1500 lb. capacity (Rope included)	400	018-416	14,700.00 ea.
Adder for Reaction Bar (Used with Capstan Winch)	6	011-BAR	40.00 ft.

Index Lights & Supports

Description	Weight (lbs)	Product Code	List Price (Ea)
1 Circuit Index Strip Light, 5' – UL Listed	15	015-151405	390.00
1 Circuit Index Strip Light, 10' – UL Listed	30	015-151410	540.00
2 Circuit Index Strip Light, 5' – UL Listed	15	015-251405	460.00
2 Circuit Index Strip Light, 10' – UL Listed	30	015-251410	650.00
Outrigger Bracket with 1-1/2" Half Clamp	30	015-96	175.00
Outrigger Batten Sleeve with Wall Plate	4	015-96WS	55.00

Rope Locks

Description	Weight (lbs)	Product Code	List Price (Ea)
Ductile Iron Rope Lock	8	010-533R	140.00 Q
Padlock for 010-533R	1	010-PLOCK	20.00
SureLock®	20	010-600R	695.00
Replacement Lock Ring, Vinyl Coated	.1	010-533C	5.00

Q - Quick Ship - See page 15 for details

Counterweight Components

- Order by pounds not pieces.
- Weight and thickness may vary ±10%.
- Notched corners are included for easy handling.

Options:

- Special sizes and shapes.

Locking Rail Components

- Write-on index cards included.

Options:

- Special construction and rope lock spacing available upon request.



011-538R6
J-Guide™ Locking Rail



018-416
Mobile Capstan Winch

015-151405
Index Strip Light



Rope Lock Components

- Vinyl coated oval safety ring and mounting hardware are included.
- Optional padlock available to restrict use.



010-600R
SureLock®



010-533R
Rope Lock with
Optional Padlock

Guide Tracks

Description	Weight (lbs)	Product Code	List Price
J-Guide™ System, Aluminum, Natural Finish, 6" or 8" Centers	3	012-1650	10.00 ft.
J-Guide™ System, Aluminum, Black Anodized, 6" or 8" Centers	3	012-1650B	14.50 ft.
A-Guide System, Heavy Duty, Black Anodized, 6" or 8" Centers	4	012-1751	21.50 ft.
T-Bar System, Steel (>700 Feet), 6" or 8" Centers	4	012-1500	16.00 ft.
T-Bar System, Steel (<700 Feet), 6" or 8" Centers	4	012-1501	18.50 ft.
Centers Other than 6" or 8"	–	012-CTRS	add 1.00 ft.
Lattice Track with Bottom Bracket (<i>Specify offset</i>)	7	012-5049R	90.00 ft.
Lattice Track Spring Bottom Bracket	55	012-8049S	905.00 ea.

Battens

Description	Weight (lbs)	Product Code	List Price
Battens			
1-1/2" i.d. Schedule 40 Pipe Batten	3	015-67R	11.25 ft.
1-1/2" i.d. Schedule 80 Pipe Batten	4	015-67H	16.00 ft.
2" i.d. Schedule 40 Pipe Batten	4	015-68R	18.50 ft.
1-1/2" Schedule 40, Two Pipe Truss Batten	7	015-67T	30.00 ft.
Yellow Batten End Cap for 1-1/2" Schedule 40 Battens	.1	099-BATCAP	1.70 ea. Q
Batten Sleeves			
1-1/2" Batten Sleeve, No Holes, 18" Long	3	015-67S	20.50 ea. Q
1-1/2" Batten Sleeve, No Holes, Schedule 80, 18" Long	3	015-67HS	41.00 ea.
2" Batten Sleeve, No Holes, 18" Long	4	015-68S	27.00 ea.

Pipe Clamps

Description	Weight (lbs)	Product Code	List Price (Ea)
1-1/2" Half Pipe Clamp	1.5	026-21X1.5	17.00
2" Half Pipe Clamp	1.5	026-21X2.0	21.00
1-1/2" Full Pipe Clamp	1	026-22X1.5	8.50 Q
2" Full Pipe Clamp	1	026-22X2.0	12.00
1-1/2" Batten Trim Clamp	2.5	026-23X1.5	70.00

Forged Turnbuckles (Made in U.S.)

Description	Weight (lbs)	Product Code	List Price (Ea)
5/16" x 4-1/2" Jaw & Eye	.5	032-220J&E	32.00
3/8" x 6" Jaw & Eye	1	032-221J&E	32.00
3/8" x 6" Jaw & Jaw	1	032-221J&J	37.00
1/2" x 6" Jaw & Eye	2	032-222J&E	37.00
1/2" x 12" Jaw & Eye	2.5	032-223J&E	57.00

Q - Quick Ship - See page 15 for details

Guide Track Components

- J-Guide™/T-Bar Systems include:
 - J's or T's
 - Wall Battens
 - Wall Knees
 - Stop & Floor Battens
 - Assembly Bolts, Nuts, Washers
- Order by linear feet of guides required.
- Anchors and wood stops not included.

Batten Components

- 1-1/2" Sch 40 Battens come with yellow endcaps.
- All battens come with self-adhesive numbers, hardware, and sleeves.



099-BATCAP
Yellow Batten End Cap



026-21X1.5
Half Pipe Clamp



026-22X1.5
Full Pipe Clamp



026-23X1.5
Batten Trim Clamp



032-221J&E
Jaw & Eye Turnbuckle

Anchor Shackles (Made in U.S.)

Description	Weight (lbs)	Product Code	List Price (Ea)
1/4" Round Pin Forged Anchor Shackle	.1	019-A250R	5.10
1/4" Screw Pin Forged Anchor Shackle	.13	019-A250S	5.70
5/16" Round Pin Forged Anchor Shackle	.2	019-A312R	7.50
5/16" Screw Pin Forged Anchor Shackle	.2	019-A312S	7.20



019-A0375R
Round Pin Anchor Shackle

Thimbles

Description	Weight (lbs)	Product Code	List Price (Ea)
1/8", Galvanized Cable Thimble	.04	023-125C	1.00 Q
3/16", Galvanized Cable Thimble	.04	023-187C	.25 Q
1/4", Galvanized Cable Thimble	.04	023-250C	.50 Q
3/8", Galvanized Cable Thimble	.08	023-375C	1.11



023-250C
Thimble

Nicopress® Sleeves

Description	Weight (lbs)	Product Code	List Price (Ea)
Copper Oval Sleeves			
1/8", Oval Sleeve, 18-3-M	.05	025-125N	.65
3/16", Oval Sleeve, 18-6-X	.05	025-187N	1.85 Q
1/4", Oval Sleeve, 18-10-F6	.08	025-250N	2.65 Q
5/16", Oval Sleeve, 18-13-G9	.12	025-312N	4.75 Q
3/8", Oval Sleeve, 18-23-H5	.15	025-375N	7.25 Q
Copper Stop Sleeves			
1/8", Stop Sleeve, 871-18-J	.01	025-125S	.35
3/16", Stop Sleeve, 871-20-M	.05	025-187S	.55
1/4", Stop Sleeve, 871-23-F6	.06	025-250S	2.50
5/16", Stop Sleeve, 871-26-F6	.06	025-312S	2.50
3/8", Stop Sleeve, 871-27-F6	.06	025-375S	2.50



025-250N
Oval Sleeve



025-250S
Stop Sleeve

Forged Cable Clips (Made in U.S.)

Description	Weight (lbs)	Product Code	List Price (Ea)
1/8" Forged Cable Clip	.1	021-125C	3.10
3/16" Forged Cable Clip	.1	021-187C	3.30 Q
1/4" Forged Cable Clip	.2	021-250C	4.60 Q
5/16" Forged Cable Clip	.3	021-312C	4.20
3/8" Forged Cable Clip	.5	021-375C	4.60



021-250C
Forged Cable Clip

Q - Quick Ship - See page 15 for details

Wire Rope

Description	Weight (lbs)	Product Code	List Price
2500' Reels			
1/8", 7x19 Galvanized Utility Cable	.03	020-125	.18 ft.
3/16", 7x19 Galvanized Utility Cable	.07	020-187	.26 ft. Q
1/4", 7x19 Galvanized Utility Cable	.11	020-250	.40 ft. Q
5/16", 7x19 Galvanized Utility Cable	.18	020-312	.62 ft.
3/8", 7x19 Galvanized Utility Cable	.25	020-375	.77 ft.
500' Reels			
1/8", 7x19 Galvanized Utility Cable	15	020-125-5	110.00 ea.
3/8", 7x19 Galvanized Utility Cable	90	020-375-5	405.00 ea.

Wire Rope

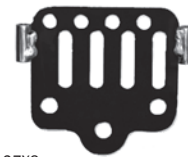
■ Manufactured to Federal Specification RRW-410E.

Miscellaneous Rigging Hardware

Description	Weight (lbs)	Product Code	List Price (Ea)
Beam Clamp, 3/8" Throat, 4"-8" Grip Range	2	015-698	21.00 ea.
Beam Clamp, 3/4" Throat, 4"-9" Grip Range	2	015-798	21.00 ea.
Guided Cable Clew, 8 Line, Heavy Duty	5	015-27X8	75.00 ea.
Pipe Grid Cross Clamp for 1-1/2" i.d. Battens, with Black Hardware	2	015-100	18.00 ea.
J-Bolt, 3/8" x 4" with Nut and Washer	.1	043-4J	1.30 ea.
Cable Cradle for Cable up to 2" Diameter	10	015-295	67.00 ea.
Double Purchase Cable Cradle	40	015-295DP	295.00 ea.



015-798
Beam Clamp



015-27X8
Guided Cable Clew



015-100
Pipe Grid Cross Clamp



022-250
Proof Coil Chain

Chain

Description	Weight (lbs)	Product Code	List Price (Ea)
Proof Coil Chain & Trim Chains			
36" Proof Coil Trim Chain, 1/4" Proof Coil with 5/16" Shackle and 1/4" Thimble	2	015-1191	18.00 ea.
36" Proof Coil Trim Chain, 1/4" Proof Coil with 1/4" Shackle and 1/4" Thimble	2	015-1192	15.00 ea.
36" Proof Coil Trim Chain, 1/4" Proof Coil with 1/4" Shackle and 3/16" Thimble	2	015-1193	15.00 ea.
1/4", Proof Coil Chain, Grade 30, Zinc Plated	.7	022-250	3.00 ft.
3/8", Proof Coil Chain, Grade 30, Zinc Plated	1.5	022-375	3.50 ft.
AlphaChain™ & Trim Chains - Black, Hardened Alloy Chain			
36" Black Alloy Trim Chain, 1/4" with 5/16" Shackle and 1/4" Thimble	2	015-1191B	28.00 ea.
36" Black Alloy Trim Chain, 1/4" with 1/4" Shackle and 1/4" Thimble	2	015-1192B	25.00 ea.
36" Black Alloy Trim Chain, 1/4" with 1/4" Shackle and 3/16" Thimble	2	015-1193B	25.00 ea.
1/4" Black Alloy Chain	.7	022-250TC	4.35 ft.

Light Duty Blocks

Description	Weight (lbs)	Product Code	List Price (Ea)
3", 1 Sheave for 1/8" Wire Rope	3.5	013-176	100.00
3", 2 Sheave for 1/8" Wire Rope	4.5	013-276	140.00



013-176
Light Duty Block

Q - Quick Ship - See page 15 for details

Synthetic Rope (Sold in 600' and 1200' Rolls Only)

Description	Weight (lbs)	Product Code	List Price (Ft)
5/8" Ropes			
5/8" Diameter Multiline II™	.12	028-625M	.87
5/8" Diameter Stage-Set X™	.13	028-625X	1.55
5/8" Diameter Multiline II™, Black	.12	028-B625M	1.15
5/8" Diameter Stage-Set X™, Black	.13	028-B625X	1.95
3/4" Ropes			
3/4" Diameter SureGrip®	.16	028-750SG	1.00 Q
3/4" Diameter Stage-Set X™	.18	028-750X	1.85
3/4" Diameter SureGrip®, Black	.16	028-B750SG	1.40
3/4" Diameter Stage-Set X™, Black	.18	028-B750X	2.25
1" Ropes			
1" Diameter Multiline II™	.25	028-1000M	1.95
1" Diameter Stage-Set X™	.34	028-1000X	3.45

Rope Rigging Hardware

Description	Weight (lbs)	Product Code	List Price
Pinrail, 3-1/2" Pipe (Min 4')	25	015-520R	225.00 ft.
Pinrail, Double Pipe, 3-1/2" Pipe (Min 4')	45	015-520D	285.00 ft.
Wood Belaying Pin, 21" Long, 1-1/8" Diameter	1	015-249	21.00 ea.
Steel Belaying Pin, 3/4" Diameter	2	015-439	50.00 ea.
Steel Belaying Pin, 1-1/16" Diameter	2.2	015-449	30.00 ea.
10 lb. Sandbag (Without sand)	1	015-1096	60.00 ea.
25 lb. Sandbag (Without sand)	1	015-2596	70.00 ea.
50 lb. Sandbag (Without sand)	1	015-5096	83.00 ea.
100 lb. Sandbag (Without sand)	2	015-10096	110.00 ea.
150 lb. Sandbag (Without sand)	2	015-15096	120.00 ea.

Curtain Tracks Updated January 11, 2011

Description	Weight (lbs)	Product Code	List Price (Ft)
Aluminum I-Beam Track, Bi-parting, Curved	3	024-140	P.O.R.
Aluminum I-Beam Track, Bi-parting	2	024-141	35.71
Aluminum I-Beam Track—Walk Along	2	024-142	28.11
Medium Duty Traveler Track, Bi-parting	3	024-170	31.90
Medium Duty Track—Walk Along	3	024-173	21.17
Heavy Duty Traveler Track, Bi-parting	4	024-280	43.21
Heavy Duty Track, Neoprene Wheels	4.5	024-281	87.05
Heavy Duty Track, Nylon Wheels	4.5	024-282	76.96
Heavy Duty Track, Nylon Wheels	5	024-283N	85.78
Heavy Duty Track, Neoprene Wheels	5	024-283R	104.59
Floor Block Sand Bag	15	015-FBSB	65.00

Q - Quick Ship - See page 15 for details

Synthetic Rope

- High strength polyester.
 - No slivers.
 - Rot resistant.
 - SureGrip® is an improved version of Multiline II™ with wear indication.
 - Multiline II™ 3-strand, twisted construction.
 - Stage-Set X™ parallel filament core with braided cover.
- Options:
- Other sizes and colors.



028-750SG – SureGrip®



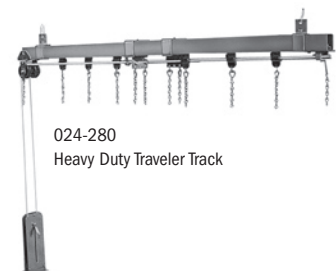
028-750X – Stage-Set X



015-520R and 015-249
Pinrail with Belaying Pins

Curtain Track Components

- Curtain tracks are furnished complete with all necessary accessories (CWANA) for normal use. Special features at additional cost.
 - Carriers 12" centers.
- Options:
- Additional track styles, components, and curtain machines are available P.O.R.



024-280
Heavy Duty Traveler Track

Smoke Pockets

Description	Weight (lbs)	Product Code	List Price (Ea)
6" Deep Smoke Pocket, 5'	111	016-106005	480.00
6" Deep Smoke Pocket, 10'	222	016-106010	890.00
8" Deep Smoke Pocket, 5'	119	016-108005	500.00
8" Deep Smoke Pocket, 10'	238	016-108010	990.00
6" Deep Smoke Pocket with Track, 5'	125	016-106T05	690.00
6" Deep Smoke Pocket with Track, 10'	250	016-106T10	1260.00

Fire Curtain Hardware

Description	Weight (lbs)	Product Code	List Price (Ea)
Smoke Seal Assembly, 4' Long	6	016-SEAL4	70.00
Round Weight Arbor	3	016-8	48.00
Round Weight Arbor Guard	15	016-13	120.00
5# Round Weight	5	016-9	11.00
Square Floor Plate	.8	016-97	35.00
Fire Line Release Lever with Sign	3	016-14L	120.00
Fire Release Enclosure	10	016-14EX	160.00
Curtain Guide, Bronze Spool	.3	016-170	14.50
Curtain Guide, Plastic Spool	.15	016-171	10.00
Curtain Guide, Steel Rollers	1.3	016-370	51.00
Sure Guard II® Electrical Release System – <i>UL Listed</i>	40	016-970	2,600.00
Fire Curtain Arbor Release – <i>Includes awning pulley, ring, shackles</i>	10	016-AR	195.00
Hydraulic Dashpot, 60" Stroke, Heavy Duty	200	016-410L	9,200.00
Hydraulic Dashpot, 60" Stroke	115	016-411L	8,300.00
Fusible Link, Model-D, 165°F	.04	016-7519	3.90
Electro Thermal Link	.2	016-ETL	205.00
Rate of Rise Detector	5	099-281B	22.00
Swivel Eye Awning Pulley	1	099-SWEP	30.00

Fire Curtain Winches

Description	Weight (lbs)	Product Code	List Price (Ea)
Manual Brail Winch with Hydraulic Descent Control	315	016-430H	7,050.00
Motorized Fire Curtain Hoist with Integral Control Station	550	016-500P	P.O.R.
Fire Curtain Traction Winch, 2000 lb. Capacity	–	016-2TW	28,900.00



016-9
Round Weight



016-SEAL4
Smoke Seal Assembly



016-14L
Lever Release

016-14EX
Fire Release Enclosure



016-970 – Sure Guard II®
Electrical Release System



016-AR
Fire Curtain Arbor Release



016-7519
Fusible Link

Field Check Worksheet

Complete form and fax to Dealer Project Manager at 315-451-1766.

Job Name: _____

Date Completed: _____

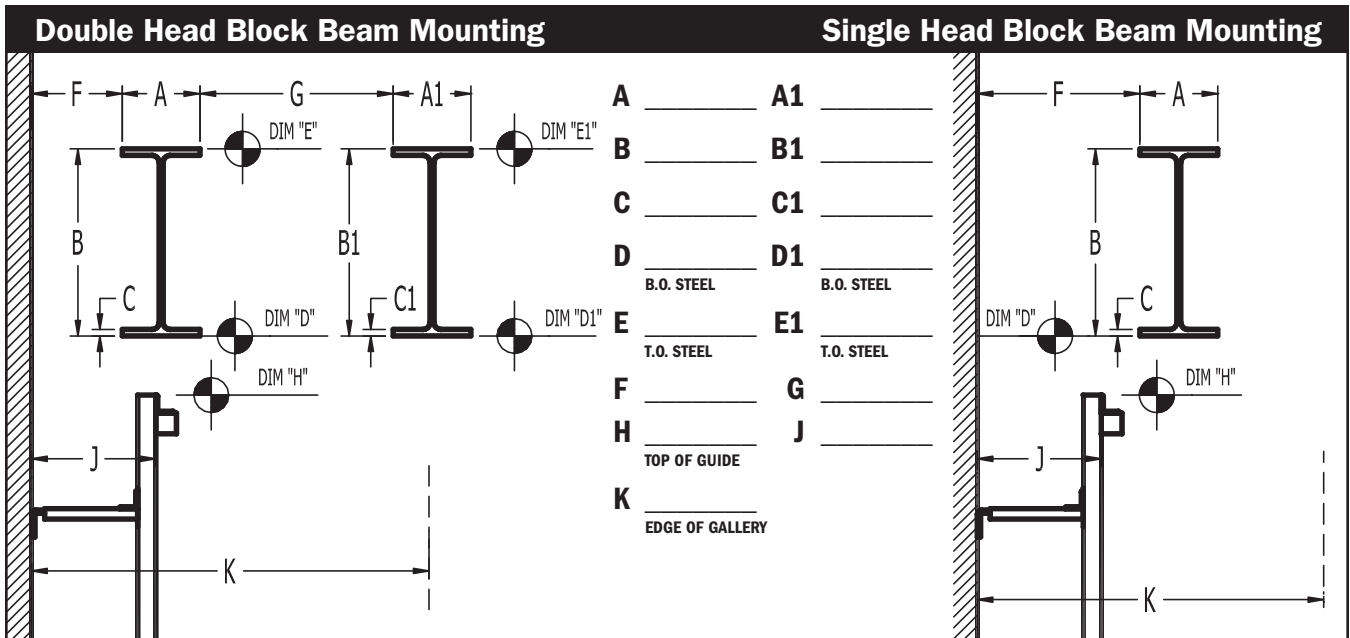
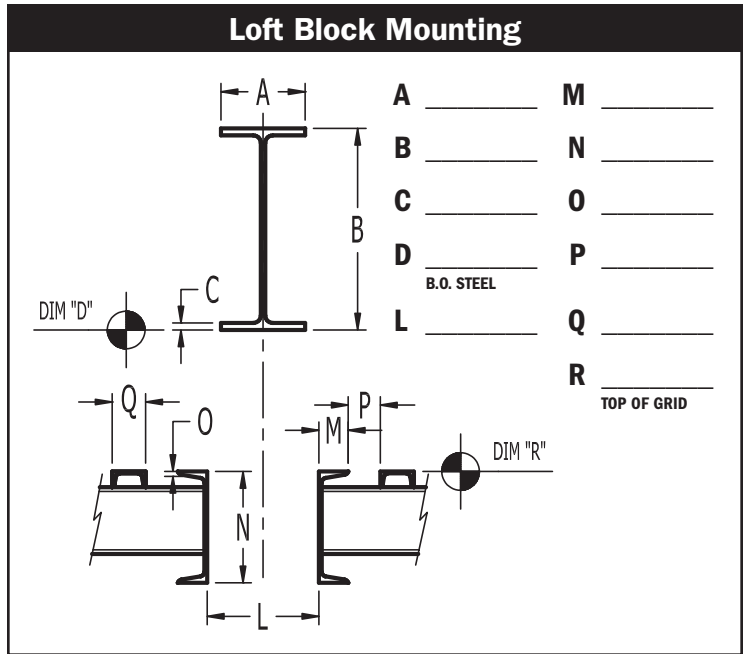
Job Location: _____

Completed By: _____

Room/Venue: _____

Company Name: _____

Special Conditions



© 2011 J.R. CLANCY, INC.

Field Notes: _____

Additional field check information is available on our website.

Doing Business with J.R. Clancy



Please Don't Hesitate To Contact Us

We're here to answer your questions or concerns. Please feel free to contact us for technical assistance, budgets, quotations, or product information. You can also check on your order, get help with installation questions or safety issues, or just share ideas with us. We're committed to meeting your needs and we'll do everything possible to give you 100% satisfaction.

We're a 24-Hour Company

Our office hours are 7:30AM–5:30PM EST/EDT Monday through Friday. However, with our voice and e-mail systems, you can leave orders or messages **at any time, day or night**. If your call is extremely urgent, you will be able to reach an operator who will have the appropriate person return your call.

FOUR WAYS TO REACH US QUICKLY

Phone: **1-800-836-1885** or **1-315-451-3440**

Fax: **1-315-451-1766**

E-Mail: **rigging@jrclancy.com**

Web: **www.jrclancy.com**

Extraordinary Guarantee

We're 100%

committed to provide

you safe, quality equipment that is

on-time, complete, and correct. If you

feel we've not met this commitment in any way and have caused you to spend additional time or money, we'll make it right at our expense. We'll send you a replacement, allow you to return it for full credit, or reimburse your out-of-pocket costs for correcting the problem.



Prices are Based on Standard Equipment

This price schedule is effective on December 10, 2010 and may change without notice. All transactions are subject to our terms and conditions which may be found on our website. Prices are based on standard equipment and any modifications are billed as extras. You are responsible for taxes or other fees.

Typical Turnaround Times

Please let us know if you have special time requirements – we'll do our best to work with you.

Quick Ship: Up to three sets of standard equipment can be shipped within three business days of receiving your order.

Standard Equipment: Up to 20 sets of equipment can be shipped in 2-4 weeks from receipt of your order if no modifications are required. T-Bar, J-Guide™, and modified equipment (special mounting, extended base angles, etc.) will take longer, as we'll prepare drawings for your approval before fabricating the equipment. Typically drawings take 2-3 weeks to prepare after you have provided complete information; once you approve the drawings, 4-6 weeks will be required to fabricate your equipment.

Custom Equipment: Motorized components, special sheaves, or other engineered equipment will take a little longer.

Taxes, Freight, and Duties

Prices do not include taxes, freight, or duties. Shipments are FOB Syracuse, NY. You may, at any time, arrange for transportation.

Otherwise, we will ship by a method with which we are most familiar and request insurance equal to the value of your order. To recover the cost of handling these arrangements for you, we add 15% to the actual shipping charge.

The carrier is solely responsible during shipment. In the event of loss or damage, we will do everything to help. Claims, however, must be filed by you directly with the carrier regardless of who has arranged the transportation. We will be happy to assist with international shipping.

Payment Terms

Open accounts with net 30 day terms are available to credit-qualified customers. Alternative payment terms, such as payment by joint check or pre-payment are also available. We may request deposits and progress payments on custom equipment or large orders. Large international shipments of products not prepaid require a letter of credit.

For orders under \$100; we ask that these orders be paid in advance or charged to a VISA, MasterCard, or AmericanExpress.

All invoices not paid when due are charged interest at 2% per month, and costs of collection are paid by the invoiced party.

Handling Returns

Mistakes can happen, so please call us if you need to return a standard item. We'll give you a return authorization, and ask that you return equipment within 60 days. Returns may be subject to a restocking fee.

Three-Year Warranty

We warrant all equipment manufactured by us to be free from defects in material and workmanship for three (3) years from date of installation. At our option, we will repair, replace, or refund the purchase price of the equipment. Any warranty on items manufactured by others will be assigned to you.

In the case of motorized equipment and equipment comprising an integrated theatre rigging system, the three-year warranty is contingent on inspection of the equipment and training on its use being provided annually by a J.R. Clancy-authorized technician. It is the responsibility of the end user to make arrangements with J.R. Clancy for the annual inspection and training. Failure to obtain the inspection and training annually will void the three-year warranty. In the event scaffolding or temporary lifts are required in order to perform the warranty work on the J.R. Clancy equipment, this is not covered in this warranty, and the cost of renting the scaffolding and portable lifts will be your responsibility.

No claims will be honored for equipment which, in our opinion, has become defective due to misuse, abuse, accident, act of God, alteration, vandalism, improper installation, or improper maintenance. Ordinary wear and tear is also excluded.

We make no implied warranties of any kind, including warranty or merchantability, or warranty of fitness for a particular purpose, all of which are expressly disclaimed. We will not be liable under this warranty for consequential or incidental damages of any kind, including damages due to lost profits, loss of use, delays, personal injury, or property damage.