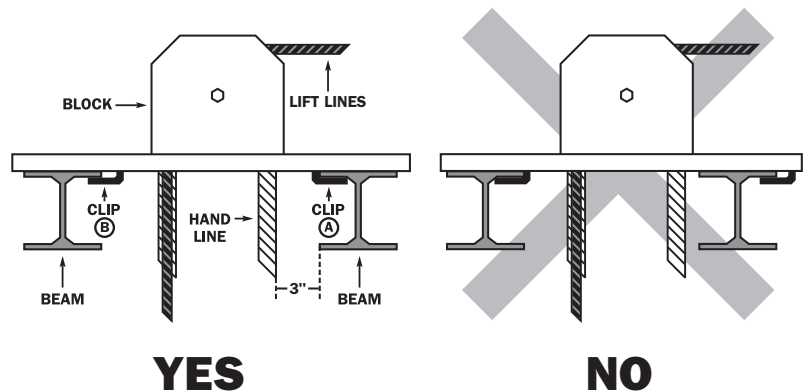


HEAD BLOCKS

Important Mounting Instructions

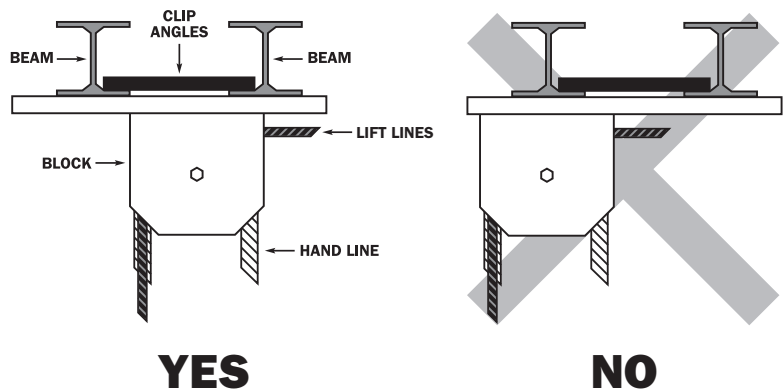
Series 55 – Upright

1. Position block, clips, and lines as shown. If necessary, BOTH clips can be positioned on the outside of the beams.
2. Adjust block so CLIP Ⓐ is secured against beam.
3. Lift lines and hand line should clear mounting structure by 3" minimum if possible.



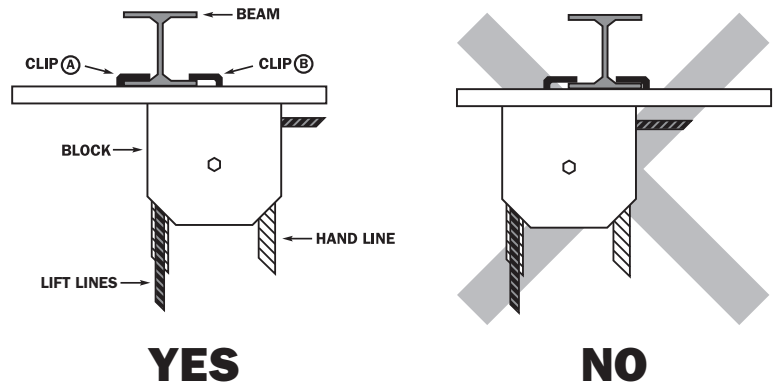
Series 59 – Underhung From Two Beams

1. Position block and lines below beams as shown.
2. Use clip angles when block is to be positioned under two beams.
3. Adjust block so clip angles are secured against beams.
4. Refer to shop drawings for welding requirements.



Series 59 – Underhung From Wide Flange Beam

1. Position block so lift lines are directly under beam.
2. Place clips on either side of beam as shown.
3. Adjust block so CLIP Ⓐ is secured against beam.
4. Refer to shop drawings for welding requirements.



Questions? Call 1-800-836-1885

JRCLANCY
QUALITY SINCE 1885