



# 2011

## PRICE SCHEDULE

Effective 7-1-11

This Price Schedule shows the most widely used products – please contact us if you don't see what you need. We also manufacture drum hoists, line shafts, point hoists, and custom hoists of all types.

**Please include a Field Check Worksheet with your order to avoid delay (see page 14).**

*J.R. Clancy rigging equipment is not to be used for lifting or flying humans.*

AUTOMATED EQUIPMENT . . . . .	2
Control Systems . . . . .	2
PowerLift® E-Series Performance Hoists . . . . .	2
PowerLift® T-Series Hoists . . . . .	2
PowerAssist® Hoist . . . . .	2
RIGGING EQUIPMENT . . . . .	3
Head Blocks – J-Guide™/T-Bar . . . . .	3
Loft Blocks – 1/4" Cable Type . . . . .	4
Loft Blocks – 3/16" Cable Type . . . . .	4
Rope Blocks – 3/4" . . . . .	5
Mule Blocks . . . . .	6
Floor Blocks . . . . .	6
Counterweight Arbors . . . . .	7
Counterweight . . . . .	8
Locking Rails . . . . .	8
Index Lights & Supports . . . . .	8
Rope Locks . . . . .	8
Guide Tracks . . . . .	9
Battens . . . . .	9
Pipe Clamps . . . . .	9
Forged Turnbuckles . . . . .	9
RIGGING ACCESSORIES . . . . .	10
Anchor Shackles . . . . .	10
Thimbles . . . . .	10
Nicopress® Sleeves . . . . .	10
Forged Cable Clips . . . . .	10
Wire Rope . . . . .	11
Miscellaneous Rigging Hardware . . . . .	11
Chain . . . . .	11
Light Duty Blocks . . . . .	11
Synthetic Rope . . . . .	12
Rope Rigging Hardware . . . . .	12
Curtain Tracks . . . . .	12
FIRE SAFETY CURTAINS & RIGGING . . . . .	13
Smoke Pockets . . . . .	13
Fire Curtain Hardware . . . . .	13
Fire Curtain Winches . . . . .	13
FIELD CHECK WORKSHEET . . . . .	14
DOING BUSINESS WITH J.R. CLANCY . . . . .	15

# Control Systems

A complete family of controls to meet your requirements. See back cover for more information.

Description	Weight (lbs)	Product code
SceneControl® 500, Wall or Table Mounted		<b>050-SC500</b>
SceneControl® 500, with Pedestal		<b>050-SC500P</b>
Altus™ Control System, Desktop Unit		<b>050-ALTUS</b>
Add for Altus™ Pedestal		<b>050-ALTPED</b>
Add for Altus™ Wall Mount Bracket		<b>050-ALTWM</b>
SureTarget™ 10		<b>050-ST10</b>
SureTarget™ Single Channel Position Control		<b>050-ST</b>
Single Channel Push Button Controller	13	<b>050-CS1</b>
Two Channel Push Button Controller	15	<b>050-CS2</b>
Three Channel Push Button Controller	15	<b>050-CS3</b>



050-ALTUS

Altus™

# PowerLift® E-Series Performance Hoists

Variable speed hoists for all your performance needs – now with electric load brake.

Description	Weight (lbs)	Product code
<b>Use with SceneControl® 500, Altus™, or SureTarget™ 10 Controllers</b>		
0-20 fpm, 2,000 lb. Capacity, 1.5 hp, 65' Travel	750	<b>018-P0220VE</b>
0-120 fpm, 1,200 lb. Capacity, 5 hp, 65' Travel	770	<b>018-P1212VE</b>
0-120 fpm, 2,000 lb. Capacity, 7.5 hp, 65' Travel	800	<b>018-P1220VE</b>
0-180 fpm, 1,200 lb. Capacity, 7.5 hp, 65' Travel	800	<b>018-P1812VE</b>
0-180 fpm, 1,750 lb. Capacity, 10 hp, 65' Travel	800	<b>018-P1817VE</b>



050-CS3  
Three Channel Station

# PowerLift® T-Series Hoists

Fixed speed hoist for all your utility functions – with built in SureTarget™ controller for precise positioning.

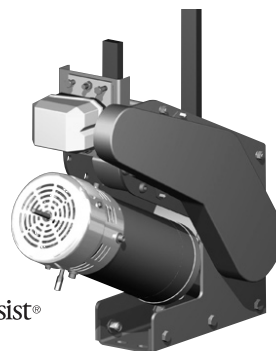
Description	Weight (lbs)	Product code
20 fpm, 2,000 lb. Capacity, 1.5 hp, 65' Travel (Includes SureTarget™ Position Controller)	750	<b>018-P0220T</b>
<b>PowerLift® Options</b>		
Load Monitoring	15	<b>018-PLLOAD</b>
Cover – May be required by safety codes	15	<b>014-933</b>

# PowerAssist® Hoist

An easy, affordable way to motorize existing counterweight sets.

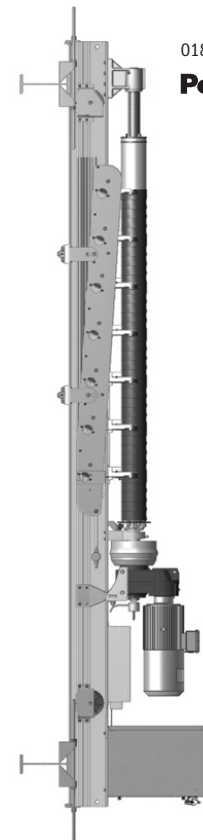
Description	Weight (lbs)	Product code
25 fpm, 2,000 lb. Set Capacity, Single Purchase	250	<b>018-PA</b>
25 fpm, 2,000 lb. Set Capacity, Double Purchase	425	<b>018-PADP</b>

Prices upon request.



018-PA

PowerAssist®



018-P0220VE

PowerLift®

AUTOMATED EQUIPMENT

# Head Blocks – J-Guide™ /T-Bar

Description	CAST IRON			NYLON		
	Weight (lbs)	Product Code	List Price (Ea)	Weight (lbs)	Product Code	List Price (Ea)
<b>Single Purchase – Upright Head Blocks</b>						
8", 6 Line	46	<b>1CS-60855R</b>	585.00			
8", 8 Line	52	<b>1CS-80855R</b>	700.00			
12", 6 Line	72	<b>1CS-61255R</b>	660.00 <b>Q</b>	40	<b>1NS-61255R</b>	595.00
12", 8 Line	79	<b>1CS-81255R</b>	750.00 <b>Q</b>	41	<b>1NS-81255R</b>	645.00
<b>Single Purchase – Underhung Head Blocks</b>						
8", 6 Line	46	<b>1CS-60859R</b>	585.00			
8", 8 Line	52	<b>1CS-80859R</b>	700.00			
12", 6 Line	74	<b>1CS-61259R</b>	660.00 <b>Q</b>	40	<b>1NS-61259R</b>	595.00
12", 8 Line	80	<b>1CS-81259R</b>	750.00 <b>Q</b>	41	<b>1NS-81259R</b>	645.00
<b>Double Purchase – Upright Head Blocks</b>						
12", 6 Line	76	<b>1CD-61255R</b>	745.00	44	<b>1ND-61255R</b>	665.00
12", 8 Line	84	<b>1CD-81255R</b>	825.00	46	<b>1ND-81255R</b>	715.00
<b>Double Purchase – Underhung Head Blocks</b>						
12", 6 Line	78	<b>1CD-61259R</b>	745.00	44	<b>1ND-61259R</b>	665.00
12", 8 Line	85	<b>1CD-81259R</b>	825.00	46	<b>1ND-81259R</b>	715.00

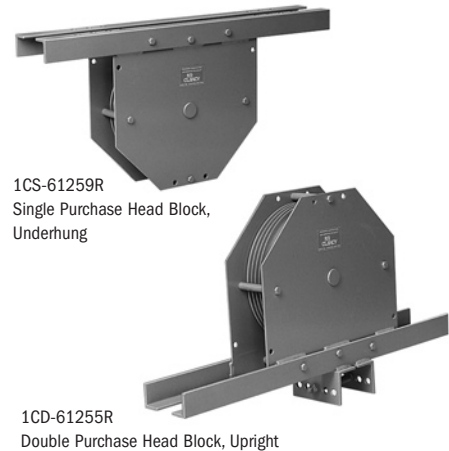
## Head Block Options – See page 14 for required ordering dimensions

Description	Weight (lbs)	Product Code	List Price (Ea)
Mounting Clip, All Sizes – 2 required per block	2.5	<b>070-CLIP</b>	14.00 <b>Q</b>
Mounting Angle for Underhung Head Block – 2 required per block	9	<b>070-CA</b>	14.00 <b>Q</b>
Add Wire Guide Tieoffs – Change the last letter on the product code from "R" to "W"			N/C
Special Grooving and Sheave Material – Available upon request			P.O.R.

**Q – Quick Ship – See page 15 for details**

### Head Block Components

- Cast iron or molybdenum disulphied filled nylon sheave.
  - 8" and 12" blocks have 1/4" cable grooves and 3/4" rope groove, with 1" tapered roller bearings.
- Mounting Hardware:**
- Order separately from Head Block Options.
  - Upright head blocks require two mounting clips, #070-CLIP – specify beam thickness.
  - Underhung head blocks require two mounting angles, #070-CA – specify beam thickness and spacing. Welding recommended.
  - Clips and angles are furnished with bolts, flat washers, and lock nuts.



## Loft Blocks – 1/4" Cable Type

Description	CAST IRON			NYLON		
	Weight (lbs)	Product Code	List Price (Ea)	Weight (lbs)	Product Code	List Price (Ea)
<b>19 Series</b>						
8", 1 Line, Ball Bearing, 3/8" Throat	14	<b>2CC-10819R</b>	165.00	9	<b>2NC-10819R</b>	110.00 <b>Q</b>
8", 2 Line, Ball Bearing, 3/8" Throat	14	<b>2CC-20819R</b>	185.00	10	<b>2NC-20819R</b>	195.00
8", 4 Line, Tapered Bearing, 3/8" Throat	34	<b>3CC-40819R</b>	385.00	25	<b>3NC-40819R</b>	335.00
8", 8 Line, Tapered Bearing, 3/8" Throat	44	<b>3CC-80819R</b>	495.00	28	<b>3NC-80819R</b>	455.00
12", 1 Line, Tapered Bearing, 3/8" Throat	47	<b>3CC-11219R</b>	455.00			
<b>Universal Series</b>						
8", 1 Line, Ball Bearing	20	<b>2CC-10855R</b>	160.00	15	<b>2NC-10856R</b>	105.00 <b>Q</b>
8", 2 Line, Ball Bearing	20	<b>2CC-20855R</b>	180.00	16	<b>2NC-20855R</b>	190.00
8", 1 Line, Tapered Bearing	20	<b>3CC-10855R</b>	185.00	15	<b>3NC-10856R</b>	130.00
8", 2 Line, Tapered Bearing	20	<b>3CC-20855R</b>	210.00	16	<b>3NC-20855R</b>	215.00
8", 4 Line, Tapered Bearing	40	<b>3CC-40855R</b>	385.00	31	<b>3NC-40855R</b>	355.00
8", 8 Line, Tapered Bearing – Upright	52	<b>3CC-80855R</b>	495.00	32	<b>3NC-80855R</b>	455.00
8", 8 Line, Tapered Bearing – Underhung	52	<b>3CC-80859R</b>	495.00	32	<b>3NC-80859R</b>	455.00
8", 10 Line, Tapered Bearing – Upright	55	<b>3CC-100855R</b>	P.O.R.			
8", 10 Line, Tapered Bearing – Underhung	55	<b>3CC-100859R</b>	P.O.R.			
12", 1 Line, Tapered Bearing	50	<b>3CC-11255R</b>	465.00			
12", 8 Line, Tapered Bearing – Upright	74	<b>3CC-81255R</b>	675.00			
12", 8 Line, Tapered Bearing – Underhung	74	<b>3CC-81259R</b>	675.00			
16", 1 Line, Tapered Bearing – Steel Sheave	110	<b>3CC-11655R</b>	1,705.00			

## Loft Blocks – 3/16" Cable Type

Description	Description	NYLON		
		Weight (lbs)	Product Code	List Price (Ea)
<b>19 Series</b>				
8", 1 Line, Ball Bearing, 3/8" Throat		9	<b>2NP-10819R</b>	110.00 <b>Q</b>
8", 8 Line, Tapered Bearing, 3/8" Throat		28	<b>3NP-80819R</b>	480.00
<b>Universal Series</b>				
8", 1 Line, Ball Bearing		15	<b>2NP-10855R</b>	105.00 <b>Q</b>
8", 8 Line, Tapered Bearing – Upright		32	<b>3NP-80855R</b>	480.00
8", 8 Line, Tapered Bearing – Underhung		32	<b>3NP-80859R</b>	480.00

**Q - Quick Ship - See page 15 for details**



2NC-10856I3  
Universal Loft Block with Quiet Idler™



4NR-50855R  
Multi-Sheave Block



2CC-10819R  
19 Series Loft Block

# Rope Blocks – 3/4"

Description	CAST IRON			NYLON		
	Weight (lbs)	Product Code	List Price (Ea)	Weight (lbs)	Product Code	List Price (Ea)
<b>Underhung Loft Blocks – 19 Series</b>						
8", 1 Line, Ball Bearing, 3/8" Throat	10	<b>2CR-10819R</b>	165.00	7	<b>2NR-10819R</b>	110.00
<b>Universal Loft Block – 55 Series – May be upright or underhung</b>						
8", 1 Line, Ball Bearing	18	<b>2CR-10855R</b>	160.00	15	<b>2NR-10855R</b>	105.00
<b>Multi Sheave Blocks – 55 Series – May be upright or underhung</b>						
8", 2 Sheave, Ball Bearing, 3/4" Rope Groove	27	<b>4CR-20855R</b>	395.00	21	<b>4NR-20855R</b>	290.00
8", 3 Sheave, Ball Bearing, 3/4" Rope Groove	35	<b>4CR-30855R</b>	495.00	26	<b>4NR-30855R</b>	335.00
8", 4 Sheave, Ball Bearing, 3/4" Rope Groove	42	<b>4CR-40855R</b>	595.00	31	<b>4NR-40855R</b>	380.00
8", 5 Sheave, Ball Bearing, 3/4" Rope Groove	50	<b>4CR-50855R</b>	695.00	36	<b>4NR-50855R</b>	425.00
<b>Multi Sheave Block Options</b>						
1/4" Cable Grooves – Change 3rd character in the product code prefix from an "R" to a "C"						N/C

## Loft Block Options – See page 14 for required ordering dimensions

Description	Weight (lbs)	Product Code	List Price (Ea)
Clip Pack – 4 J-Bolts, 2 Clips, 1 U-Clip & Hardware	3.5	<b>070-CP</b>	35.00
Mounting Clip, All Sizes – 2 required per block	2.5	<b>070-CLIP</b>	14.00 <b>Q</b>
Unistrut® Mounting Bracket (1 line 55 series blocks) – 2 required per block	1	<b>070-UNI</b>	10.00 <b>Q</b>
Pivot Bracket (For beams 4" – 8-1/2" wide for single line 55 series blocks) – Includes clips	12	<b>070-PIVOT</b>	120.00
Add Tieoff for Wire Guided Clew	1	<b>3CC-HBTO</b>	45.00
Add Idlers to 8" Underhung Blocks – Change last letter of product code to "I3" or "I6" to indicate 3 or 6 idlers	1		30.00
Special Grooving and Sheave Material – Available upon request			P.O.R.

**Q - Quick Ship – See page 15 for details**

### Loft Block Components

- 17mm sealed precision ball bearings or tapered roller bearings in 8" blocks.
  - 1" tapered roller bearings in 12" and 16" blocks and in 8" blocks with 4 or 8 cable grooves.
- Mounting Hardware: 19 Series Loft Blocks**
- 19 Series blocks include angle clips.
  - Blocks have a 3/8" throat with a grip range of 4" – 9". Change the last letter of product code from "R" to "U" for a 3/4" throat with a 4-1/8" – 10" grip range.
- Mounting Hardware: 55 Series Loft Blocks**
- 55 Series blocks require two mounting clips – specify beam thickness. Clips are furnished with bolts, flat washers, and lock nuts.
  - Blocks have a 24" base angle with universal punching for a grip range up to 20".
  - Brackets are available for Unistrut® mounting, #070-UNI.
  - Pivot adapters bolt to the base angles and include mounting flanges – specify beam thickness. Pivot adapters may need to be welded in place, #070-PIVOT.
  - 8-Line blocks have the base angles turned in, requiring different upright and underhung models.

### ⚠ CAUTION

Clips can be furnished for mounting and/or alignment of blocks. Under certain conditions, it may be necessary to weld blocks to structure due to imposed loads.

## Mule Blocks

Description	Weight (lbs)	Product Code	List Price (Ea)
8", 1 Line, Ball Bearing, Cast Iron	30	<b>5C2-10812C</b>	350.00
8", 1 Line, Tapered Bearing, Cast Iron	30	<b>5C3-10812C</b>	425.00
12", 1 Line, Tapered Roller Bearing, Cast Iron, 1/4" Groove	60	<b>5C3-11212C</b>	550.00
12", 1 Line, Tapered Roller Bearing, Cast Iron, 5/16" Groove	60	<b>5C3-11212C-31</b>	580.00
12", 1 Line, Tapered Roller Bearing, Cast Iron, 3/8" Groove	60	<b>5C3-11212C-38</b>	540.00
12", 1 Line, Tapered Roller Bearing, Nylon, 1/4" Groove	45	<b>5N3-11212C</b>	660.00
8", 2 Line, Ball Bearing, Cast Iron	32	<b>5C2-20812C</b>	350.00
8", 2 Line, Tapered Bearing, Cast Iron, 1/4" Groove	32	<b>5C3-20812C</b>	425.00
8", 2 Line, Tapered Bearing, Cast Iron, 3/16" Groove	32	<b>5C3-20812P</b>	425.00
12", 2 Line, Tapered Roller Bearing, Cast Iron, 1/4" Groove	65	<b>5C3-21212C</b>	1100.00
8", 4 Line, Tapered Roller Bearing, Cast Iron, 1/4" Groove	50	<b>5C3-40812C</b>	600.00
8", 4 Line, Tapered Roller Bearing, Cast Iron, 3/16" Groove	50	<b>5C3-40812P</b>	550.00
12", 4 Line, Tapered Roller Bearing, Cast Iron, 1/4" Groove	75	<b>5C3-41212C</b>	1300.00
8", 8 Line, Tapered Roller Bearing, Cast Iron, 1/4" Groove	60	<b>5C3-80812C</b>	700.00
8", 8 Line, Tapered Roller Bearing, Nylon, 3/16" Groove	45	<b>5N3-80812P</b>	670.00
12", 8 Line, Tapered Roller Bearing, Cast Iron, 1/4" Groove	90	<b>5C3-81212C</b>	735.00
12", 8 Line, Tapered Roller Bearing, Cast Iron, 3/16" Groove	90	<b>5C3-80812P</b>	600.00

### Mule Blocks Options

Mule Block Swivel	15	<b>5C2-SWIVEL</b>	325.00
Mule Block Stand for 1 & 2 Line Blocks	30	<b>5C2-850S</b>	360.00
Mule Block Stand for 4 & 8 Line Blocks	—	<b>5C2-850HS</b>	850.00
Mounting Clips, All Sizes	2.5	<b>070-CLIP</b>	14.00 <b>Q</b>
Add Tieoff for Wire Guided Clew	1	<b>3CC-HBTO</b>	45.00

## Floor Blocks

Description	Weight (lbs)	Product Code	List Price (Ea)
<b>"Welch" Tension Floor Blocks</b>			
10", Cast Iron	41	<b>6CR-1015</b>	265.00 <b>Q</b>
10", Cast Iron ( <i>Less than 6" centers</i> )	43	<b>6CR-1015U</b>	430.00
12", Cast Iron	48	<b>6CR-1215</b>	370.00
<b>Combination Floor Blocks</b>			
8", Fixed Nylatron Block with Rope Lock	46	<b>6NR-118</b>	420.00
10", Adjustable Cast Iron Block with Rope Lock	71	<b>6CR-218</b>	565.00 <b>Q</b>
12", Adjustable Cast Iron Block with Rope Lock	80	<b>6CR-418</b>	725.00
<b>Miscellaneous</b>			
8", Wire Guide Floor Block, 8" Cast Iron	18	<b>6CR-855M</b>	185.00
8", Wire Guide Floor Block, 8" Nylatron	15	<b>6NR-855M</b>	135.00
Floor Block Clip Package ( <i>Required for 855M Series blocks</i> )	3.5	<b>070-FBCP</b>	30.00
12", Cast Iron Sliding Tension Pulley	40	<b>6CR-1218</b>	690.00
<b>Floor Block Options</b>			
Adder for 7", 9" or 10" Shoes ( <i>Order 2 per block</i> )	—	<i>Specify Size</i>	15.00

**Q - Quick Ship - See page 15 for details**

### Mule Block Components

- Cast iron sheave.
- 1" tapered roller bearings on all blocks.
- 1/4" cable grooves are standard.

### Mounting Clips:

- Clips with bolts, flat washers, and lock nuts are available.
- Mule blocks need to be welded in place after alignment.

### Floor Block Components

- 3/4" rope groove standard.

### Mounting Shoes:

- "Welch" tension blocks are furnished with shoes. Specify 6" or 8" centers when ordering.



# Counterweight Arbors

Description	Weight (lbs)	Product Code	List Price (Ea)
<b>J-Guide™/T-Bar Counterweight Arbor, Single Purchase – 15 Series</b>			
4', J-Guide™/T-Bar Arbor	56	007-15X04	392.00
5', J-Guide™/T-Bar Arbor	63	007-15X05	410.00
6', J-Guide™/T-Bar Arbor	71	007-15X06	428.00 <b>Q</b>
7', J-Guide™/T-Bar Arbor	78	007-15X07	446.00
8', J-Guide™/T-Bar Arbor	85	007-15X08	464.00 <b>Q</b>
9', J-Guide™/T-Bar Arbor	92	007-15X09	482.00
10', J-Guide™/T-Bar Arbor	99	007-15X10	500.00
11', J-Guide™/T-Bar Arbor	106	007-15X11	560.00
12', J-Guide™/T-Bar Arbor	113	007-15X12	578.00
13', J-Guide™/T-Bar Arbor	122	007-15X13	596.00
<b>J-Guide™/T-Bar Counterweight Arbor, Double Purchase – 15 Series</b>			
6 Line Arbor, 6'	113	008-615X06	1034.00
6 Line Arbor, 7'	120	008-615X07	1052.00
6 Line Arbor, 8'	127	008-615X08	1070.00
6 Line Arbor, 9'	134	008-615X09	1080.00
6 Line Arbor, 10'	141	008-615X10	1098.00
6 Line Arbor, 11'	148	008-615X11	1288.00
6 Line Arbor, 12'	155	008-615X12	1306.00
6 Line Arbor, 13'	163	008-615X13	1324.00
8 Line Arbor, 6'	119	008-815X06	1100.00
8 Line Arbor, 7'	126	008-815X07	1110.00
8 Line Arbor, 8'	133	008-815X08	1140.00
8 Line Arbor, 9'	140	008-815X09	1155.00
8 Line Arbor, 10'	147	008-815X10	1170.00
8 Line Arbor, 11'	154	008-815X11	1435.00
8 Line Arbor, 12'	161	008-815X12	1465.00
<b>Counterweight Arbor Options</b>			
Adder for Steel/UHMW Shoes 6", 7", 8", 9", 10" (Order 2 per arbor)		Specify Size	60.00
Special Shoes, Grooves and Materials – Available upon request			P.O.R.
Adder for Roller Guides (Order 2 per arbor)		007-TBRG	95.00
<b>Lattice Track Counterweight Arbor, Single Purchase – 84 Series</b>			
4', Lattice Track Arbor	35	007-84X04	663.00
5', Lattice Track Arbor	38	007-84X05	669.00
6', Lattice Track Arbor	41	007-84X06	675.00
7', Lattice Track Arbor	44	007-84X07	681.00
8', Lattice Track Arbor	47	007-84X08	687.00
<b>Wire Guide Counterweight Arbor, Single Purchase – 85 Series</b>			
4', Wire Guide Arbor	34	007-85X04	480.00
5', Wire Guide Arbor	37	007-85X05	490.00
6', Wire Guide Arbor	40	007-85X06	500.00
7', Wire Guide Arbor	43	007-85X07	510.00
8', Wire Guide Arbor	46	007-85X08	520.00

**Q – Quick Ship – See page 15 for details**

## Counterweight Arbor Components

- Arbors are shipped assembled to reduce installation time
- J-Guide™/T-Bar arbors are provided with self-adhesive numbers.

### Double Purchase:

- Cast iron sheaves.
- 1/4" cable grooves and 3/4" rope groove.
- 1" tapered roller bearings in top sheave.

### Guides:

- Adjustable shoes for 6" - 8" centers are included with 15 Series Arbors.
- Bronze guides are furnished on 84 Series arbors.



007-15X04  
J-Guide™/T-Bar Arbor



007-84X04  
Lattice Track Arbor

## Counterweight

Description	Weight (lbs)	Product Code	List Price (Lb)
4" Wide X 1" Steel	12	009-4X1	P.O.R. * <b>Q</b>
4" Wide X 2" Steel	25	009-4X2	P.O.R. * <b>Q</b>
6" Wide X 1" Steel	21	009-6X1	P.O.R. * <b>Q</b>
6" Wide X 2" Steel	42	009-6X2	P.O.R. * <b>Q</b>

\*Counterweights are sold in full pallets of 1,000 lbs. only

## Locking Rails

Description	Weight (lbs)	Product Code	List Price
J-Guide™ Locking Rail, Single Purchase, 6" Centers	18	011-538R6	155.00 ft.
J-Guide™ Locking Rail, Single Purchase, 8" Centers	18	011-538R8	155.00 ft.
J-Guide™ Locking Rail, Double Purchase, 6" Centers	18	011-538D6	265.00 ft.
J-Guide™ Locking Rail, Double Purchase, 8" Centers	18	011-538D8	265.00 ft.
Wire Guide Locking Rail, Single Purchase, 6" Centers	31	011-518R6	290.00 ft.
Wire Guide Locking Rail, Single Purchase, 8" Centers	31	011-518R8	290.00 ft.
Gallery Mounted Locking Rail, 6" Centers	20	011-558R6	215.00 ft.
Gallery Mounted Locking Rail, 8" Centers	20	011-558R8	215.00 ft.
Mobile Capstan Winch, 1500 lb. capacity (Rope included)	400	018-416	14,900.00 ea.
Adder for Reaction Bar (Used with Capstan Winch)	6	011-BAR	40.00 ft.

## Index Lights & Supports

Description	Weight (lbs)	Product Code	List Price (Ea)
1 Circuit Index Strip Light, 5' – UL Listed	15	015-151405	390.00
1 Circuit Index Strip Light, 10' – UL Listed	30	015-151410	540.00
2 Circuit Index Strip Light, 5' – UL Listed	15	015-251405	460.00
2 Circuit Index Strip Light, 10' – UL Listed	30	015-251410	650.00
Outrigger Bracket with 1-1/2" Half Clamp	30	015-96	220.00
Outrigger Batten Sleeve with Wall Plate	4	015-96WS	55.00

## Rope Locks

Description	Weight (lbs)	Product Code	List Price (Ea)
Ductile Iron Rope Lock	8	010-533R	140.00 <b>Q</b>
Padlock for 010-533R	1	010-PLOCK	20.00
SureLock®	20	010-600R	695.00
Replacement Lock Ring, Vinyl Coated	.1	010-533C	5.00

**Q** - Quick Ship - See page 15 for details

### Counterweight Components

- Order by pounds not pieces.
- Weight and thickness may vary ±10%.
- Notched corners are included for easy handling.

Options:

- Special sizes and shapes.

### Locking Rail Components

- Write-on index cards included.

Options:

- Special construction and rope lock spacing available upon request.



011-538R6  
J-Guide™ Locking Rail



018-416  
Mobile Capstan Winch

015-151405  
Index Strip Light



### Rope Lock Components

- Vinyl coated oval safety ring and mounting hardware are included.
- Optional padlock available to restrict use.



010-600R  
SureLock®



010-533R  
Rope Lock with  
Optional Padlock

## Guide Tracks

Description	Weight (lbs)	Product Code	List Price
J-Guide™ System, Aluminum, Natural Finish, 6" or 8" Centers	3	<b>012-1650</b>	10.50 ft.
J-Guide™ System, Aluminum, Black Anodized, 6" or 8" Centers	3	<b>012-1650B</b>	15.00 ft.
A-Guide System, Heavy Duty, Black Anodized, 6" or 8" Centers	4	<b>012-1751</b>	22.00 ft.
T-Bar System, Steel (>700 Feet), 6" or 8" Centers	4	<b>012-1500</b>	16.00 ft.
T-Bar System, Steel (<700 Feet), 6" or 8" Centers	4	<b>012-1501</b>	18.50 ft.
Centers Other than 6" or 8"	–	<b>012-CTRS</b>	add 1.00 ft.
Lattice Track with Bottom Bracket ( <i>Specify offset</i> )	7	<b>012-5049R</b>	90.00 ft.
Lattice Track Spring Bottom Bracket	55	<b>012-8049S</b>	915.00 ea.

## Battens

Description	Weight (lbs)	Product Code	List Price
<b>Battens</b>			
1-1/2" i.d. Schedule 40 Pipe Batten	3	<b>015-67R</b>	14.00 ft.
1-1/2" i.d. Schedule 80 Pipe Batten	4	<b>015-67H</b>	19.00 ft.
2" i.d. Schedule 40 Pipe Batten	4	<b>015-68R</b>	19.50 ft.
1-1/2" Schedule 40, Two Pipe Truss Batten	7	<b>015-67T</b>	33.00 ft.
Yellow Batten End Cap for 1-1/2" Schedule 40 Battens	.1	<b>099-BATCAP</b>	1.75 ea. <b>Q</b>
<b>Batten Sleeves</b>			
1-1/2" Batten Sleeve, No Holes, 18" Long	3	<b>015-67S</b>	21.00 ea. <b>Q</b>
1-1/2" Batten Sleeve, No Holes, Schedule 80, 18" Long	3	<b>015-67HS</b>	60.00 ea.
2" Batten Sleeve, No Holes, 18" Long	4	<b>015-68S</b>	27.00 ea.

## Pipe Clamps

Description	Weight (lbs)	Product Code	List Price (Ea)
1-1/2" Half Pipe Clamp	1.5	<b>026-21X1.5</b>	18.00
2" Half Pipe Clamp	1.5	<b>026-21X2.0</b>	22.00
1-1/2" Full Pipe Clamp	1	<b>026-22X1.5</b>	8.60 <b>Q</b>
2" Full Pipe Clamp	1	<b>026-22X2.0</b>	12.00
1-1/2" Batten Trim Clamp	2.5	<b>026-23X1.5</b>	70.00

## Forged Turnbuckles (Made in U.S.)

Description	Weight (lbs)	Product Code	List Price (Ea)
5/16" x 4-1/2" Jaw & Eye	.5	<b>032-220J&amp;E</b>	32.00
3/8" x 6" Jaw & Eye	1	<b>032-221J&amp;E</b>	35.60
3/8" x 6" Jaw & Jaw	1	<b>032-221J&amp;J</b>	41.00
1/2" x 6" Jaw & Eye	2	<b>032-222J&amp;E</b>	38.00
1/2" x 12" Jaw & Eye	2.5	<b>032-223J&amp;E</b>	57.00

**Q - Quick Ship - See page 15 for details**

### Guide Track Components

- J-Guide™/T-Bar Systems include:
  - J's or T's
  - Wall Battens
  - Wall Knees
  - Stop & Floor Battens
  - Assembly Bolts, Nuts, Washers
- Order by linear feet of guides required.
- Anchors and wood stops not included.

### Batten Components

- 1-1/2" Sch 40 Battens come with yellow endcaps.
- All battens come with self-adhesive numbers, hardware, and sleeves.



099-BATCAP  
Yellow Batten End Cap



026-21X1.5  
Half Pipe Clamp



026-22X1.5  
Full Pipe Clamp



026-23X1.5  
Batten Trim Clamp



032-221J&E  
Jaw & Eye Turnbuckle

## Anchor Shackles (Made in U.S.)

Description	Weight (lbs)	Product Code	List Price (Ea)
1/4" Round Pin Forged Anchor Shackle	.1	019-A250R	5.70
1/4" Screw Pin Forged Anchor Shackle	.13	019-A250S	6.00
5/16" Round Pin Forged Anchor Shackle	.2	019-A312R	7.80
5/16" Screw Pin Forged Anchor Shackle	.2	019-A312S	7.60



019-A0375R  
Round Pin Anchor Shackle

## Thimbles

Description	Weight (lbs)	Product Code	List Price (Ea)
1/8", Galvanized Cable Thimble	.04	023-125C	1.00 <b>Q</b>
3/16", Galvanized Cable Thimble	.04	023-187C	.25 <b>Q</b>
1/4", Galvanized Cable Thimble	.04	023-250C	.50 <b>Q</b>
3/8", Galvanized Cable Thimble	.08	023-375C	1.20



023-250C  
Thimble

## Nicopress® Sleeves

Description	Weight (lbs)	Product Code	List Price (Ea)
<b>Copper Oval Sleeves</b>			
1/8", Oval Sleeve, 18-3-M	.05	025-125N	.65
3/16", Oval Sleeve, 18-6-X	.05	025-187N	1.85 <b>Q</b>
1/4", Oval Sleeve, 18-10-F6	.08	025-250N	2.65 <b>Q</b>
5/16", Oval Sleeve, 18-13-G9	.12	025-312N	4.75 <b>Q</b>
3/8", Oval Sleeve, 18-23-H5	.15	025-375N	7.25 <b>Q</b>
<b>Copper Stop Sleeves</b>			
1/8", Stop Sleeve, 871-18-J	.01	025-125S	.36
3/16", Stop Sleeve, 871-20-M	.05	025-187S	.55
1/4", Stop Sleeve, 871-23-F6	.06	025-250S	2.50
5/16", Stop Sleeve, 871-26-F6	.06	025-312S	2.50
3/8", Stop Sleeve, 871-27-F6	.06	025-375S	2.50



025-250N  
Oval Sleeve



025-250S  
Stop Sleeve

## Forged Cable Clips (Made in U.S.)

Description	Weight (lbs)	Product Code	List Price (Ea)
1/8" Forged Cable Clip	.1	021-125C	3.25
3/16" Forged Cable Clip	.1	021-187C	3.50 <b>Q</b>
1/4" Forged Cable Clip	.2	021-250C	4.90 <b>Q</b>
5/16" Forged Cable Clip	.3	021-312C	5.10
3/8" Forged Cable Clip	.5	021-375C	5.50



021-250C  
Forged Cable Clip

**Q - Quick Ship - See page 15 for details**

## Wire Rope

Description	Weight (lbs)	Product Code	List Price
<b>2500' Reels</b>			
1/8", 7x19 Galvanized Utility Cable	.03	<b>020-125</b>	.18 ft.
3/16", 7x19 Galvanized Utility Cable	.07	<b>020-187</b>	.26 ft. <b>Q</b>
1/4", 7x19 Galvanized Utility Cable	.11	<b>020-250</b>	.40 ft. <b>Q</b>
5/16", 7x19 Galvanized Utility Cable	.18	<b>020-312</b>	.62 ft.
3/8", 7x19 Galvanized Utility Cable	.25	<b>020-375</b>	.64 ft.
<b>500' Reels</b>			
1/8", 7x19 Galvanized Utility Cable	15	<b>020-125-5</b>	110.00 ea.
3/8", 7x19 Galvanized Utility Cable	90	<b>020-375-5</b>	405.00 ea.

### Wire Rope

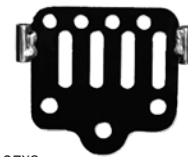
■ Manufactured to Federal Specification RRW-410E.

## Miscellaneous Rigging Hardware

Description	Weight (lbs)	Product Code	List Price (Ea)
Beam Clamp, 3/8" Throat, 4"-8" Grip Range	2	<b>015-698</b>	21.00 ea.
Beam Clamp, 3/4" Throat, 4"-9" Grip Range	2	<b>015-798</b>	21.00 ea.
Guided Cable Clew, 8 Line, Heavy Duty	5	<b>015-27X8</b>	75.00 ea.
Pipe Grid Cross Clamp for 1-1/2" i.d. Battens, with Black Hardware	2	<b>015-100</b>	19.00 ea.
J-Bolt, 3/8" x 4" with Nut and Washer	.1	<b>043-4J</b>	1.25 ea.
Cable Cradle for Cable up to 2" Diameter	10	<b>015-295</b>	67.00 ea.
Double Purchase Cable Cradle	40	<b>015-295DP</b>	295.00 ea.



015-798  
Beam Clamp



015-27X8  
Guided Cable Clew



015-100  
Pipe Grid Cross Clamp



022-250  
Proof Coil Chain

## Chain

Description	Weight (lbs)	Product Code	List Price (Ea)
<b>Proof Coil Chain &amp; Trim Chains</b>			
36" Proof Coil Trim Chain, 1/4" Proof Coil with 5/16" Shackle and 1/4" Thimble	2	<b>015-1191</b>	18.00 ea.
36" Proof Coil Trim Chain, 1/4" Proof Coil with 1/4" Shackle and 1/4" Thimble	2	<b>015-1192</b>	15.00 ea.
36" Proof Coil Trim Chain, 1/4" Proof Coil with 1/4" Shackle and 3/16" Thimble	2	<b>015-1193</b>	15.00 ea.
1/4", Proof Coil Chain, Grade 30, Zinc Plated	.7	<b>022-250</b>	3.00 ft.
3/8", Proof Coil Chain, Grade 30, Zinc Plated	1.5	<b>022-375</b>	3.50 ft.
<b>AlphaChain™ &amp; Trim Chains - Black, Hardened Alloy Chain</b>			
36" Black Alloy Trim Chain, 1/4" with 5/16" Shackle and 1/4" Thimble	2	<b>015-1191B</b>	28.00 ea.
36" Black Alloy Trim Chain, 1/4" with 1/4" Shackle and 1/4" Thimble	2	<b>015-1192B</b>	25.00 ea.
36" Black Alloy Trim Chain, 1/4" with 1/4" Shackle and 3/16" Thimble	2	<b>015-1193B</b>	25.00 ea.
1/4" Black Alloy Chain	.7	<b>022-250TC</b>	4.35 ft.

## Light Duty Blocks

Description	Weight (lbs)	Product Code	List Price (Ea)
3", 1 Sheave for 1/8" Wire Rope	3.5	<b>013-176</b>	100.00
3", 2 Sheave for 1/8" Wire Rope	4.5	<b>013-276</b>	140.00



013-176  
Light Duty Block

**Q** - Quick Ship - See page 15 for details

# Synthetic Rope (Sold in 600' and 1200' Rolls Only)

Description	Weight (lbs)	Product Code	List Price (Ft)
<b>5/8" Ropes</b>			
5/8" Diameter Multiline II™	.12	028-625M	.87
5/8" Diameter Stage-Set X™	.13	028-625X	1.55
5/8" Diameter Multiline II™, Black	.12	028-B625M	1.15
5/8" Diameter Stage-Set X™, Black	.13	028-B625X	1.95
<b>3/4" Ropes</b>			
3/4" Diameter SureGrip®	.16	028-750SG	1.00 <b>Q</b>
3/4" Diameter Stage-Set X™	.18	028-750X	1.85
3/4" Diameter SureGrip®, Black	.16	028-B750SG	1.40
3/4" Diameter Stage-Set X™, Black	.18	028-B750X	2.25
<b>1" Ropes</b>			
1" Diameter Multiline II™	.25	028-1000M	1.95
1" Diameter Stage-Set X™	.34	028-1000X	3.45

## Rope Rigging Hardware

Description	Weight (lbs)	Product Code	List Price
Pinrail, 3-1/2" Pipe (Min 4')	25	015-520R	225.00 ft.
Pinrail, Double Pipe, 3-1/2" Pipe (Min 4')	45	015-520D	285.00 ft.
Wood Belaying Pin, 21" Long, 1-1/8" Diameter	1	015-249	21.00 ea.
Steel Belaying Pin, 3/4" Diameter	2	015-439	50.00 ea.
Steel Belaying Pin, 1-1/16" Diameter	2.2	015-449	30.00 ea.
10 lb. Sandbag (Without sand)	1	015-1096	60.00 ea.
25 lb. Sandbag (Without sand)	1	015-2596	70.00 ea.
50 lb. Sandbag (Without sand)	1	015-5096	83.00 ea.
100 lb. Sandbag (Without sand)	2	015-10096	110.00 ea.
150 lb. Sandbag (Without sand)	2	015-15096	120.00 ea.

## Curtain Tracks Updated January 11, 2011

Description	Weight (lbs)	Product Code	List Price (Ft)
Aluminum I-Beam Track, Bi-parting, Curved	3	024-140	P.O.R.
Aluminum I-Beam Track, Bi-parting	2	024-141	35.71
Aluminum I-Beam Track—Walk Along	2	024-142	28.11
Medium Duty Traveler Track, Bi-parting	3	024-170	31.90
Medium Duty Track—Walk Along	3	024-173	21.17
Heavy Duty Traveler Track, Bi-parting	4	024-280	43.21
Heavy Duty Track, Neoprene Wheels	4.5	024-281	87.05
Heavy Duty Track, Nylon Wheels	4.5	024-282	76.96
Heavy Duty Track, Nylon Wheels	5	024-283N	85.78
Heavy Duty Track, Neoprene Wheels	5	024-283R	104.59
Floor Block Sand Bag	15	015-FBSB	65.00

**Q - Quick Ship - See page 15 for details**

### Synthetic Rope

- High strength polyester.
  - No slivers.
  - Rot resistant.
  - SureGrip® is an improved version of Multiline II™ with wear indication.
  - Multiline II™ 3-strand, twisted construction.
  - Stage-Set X™ parallel filament core with braided cover.
- Options:
- Other sizes and colors.



028-750SG – SureGrip®



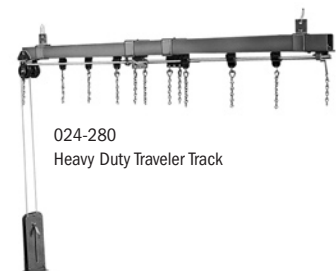
028-750X – Stage-Set X



015-520R and 015-249  
Pinrail with Belaying Pins

### Curtain Track Components

- Curtain tracks are furnished complete with all necessary accessories (CWANA) for normal use. Special features at additional cost.
  - Carriers 12" centers.
- Options:
- Additional track styles, components, and curtain machines are available P.O.R.



024-280  
Heavy Duty Traveler Track

## Smoke Pockets

Description	Weight (lbs)	Product Code	List Price (Ea)
6" Deep Smoke Pocket, 5'	111	<b>016-106005</b>	480.00
6" Deep Smoke Pocket, 10'	222	<b>016-106010</b>	890.00
8" Deep Smoke Pocket, 5'	119	<b>016-108005</b>	500.00
8" Deep Smoke Pocket, 10'	238	<b>016-108010</b>	990.00
6" Deep Smoke Pocket with Track, 5'	125	<b>016-106T05</b>	690.00
6" Deep Smoke Pocket with Track, 10'	250	<b>016-106T10</b>	1260.00

## Fire Curtain Hardware

Description	Weight (lbs)	Product Code	List Price (Ea)
Smoke Seal Assembly, 4' Long	6	<b>016-SEAL4</b>	70.00
Round Weight Arbor	3	<b>016-8</b>	50.00
Round Weight Arbor Guard	15	<b>016-13</b>	120.00
5# Round Weight	5	<b>016-9</b>	11.00
Square Floor Plate	.8	<b>016-97</b>	35.00
Fire Line Release Lever with Sign	3	<b>016-14L</b>	120.00
Fire Release Enclosure	10	<b>016-14EX</b>	160.00
Curtain Guide, Bronze Spool	.3	<b>016-170</b>	15.00
Curtain Guide, Plastic Spool	.15	<b>016-171</b>	10.00
Curtain Guide, Steel Rollers	1.3	<b>016-370</b>	51.00
Sure Guard II® Electrical Release System – <i>UL Listed</i>	40	<b>016-970</b>	2,650.00
Fire Curtain Arbor Release – <i>Includes awning pulley, ring, shackles</i>	10	<b>016-AR</b>	195.00
Hydraulic Dashpot, 60" Stroke, Heavy Duty	200	<b>016-410L</b>	9,650.00
Hydraulic Dashpot, 60" Stroke	115	<b>016-411L</b>	8,600.00
Fusible Link, Model-D, 165°F	.04	<b>016-7519</b>	4.00
Electro Thermal Link	.2	<b>016-ETL</b>	195.00
Rate of Rise Detector	5	<b>099-281B</b>	27.00
Swivel Eye Awning Pulley	1	<b>099-SWEP</b>	30.00

## Fire Curtain Winches

Description	Weight (lbs)	Product Code	List Price (Ea)
Manual Brail Winch with Hydraulic Descent Control	315	<b>016-430H</b>	7,050.00
Motorized Fire Curtain Hoist with Integral Control Station	550	<b>016-500P</b>	P.O.R.
Fire Curtain Traction Winch, 2000 lb. Capacity	–	<b>016-2TW</b>	28,900.00



016-9  
Round Weight



016-SEAL4  
Smoke Seal Assembly

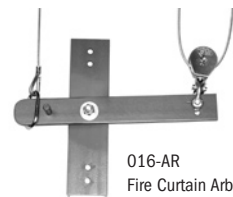


016-14L  
Lever Release

016-14EX  
Fire Release Enclosure



016-970 – Sure Guard II®  
Electrical Release System



016-AR  
Fire Curtain Arbor Release



016-7519  
Fusible Link

# Field Check Worksheet

Complete form and fax to Dealer Project Manager at 315-451-1766.

Job Name: \_\_\_\_\_

Date Completed: \_\_\_\_\_

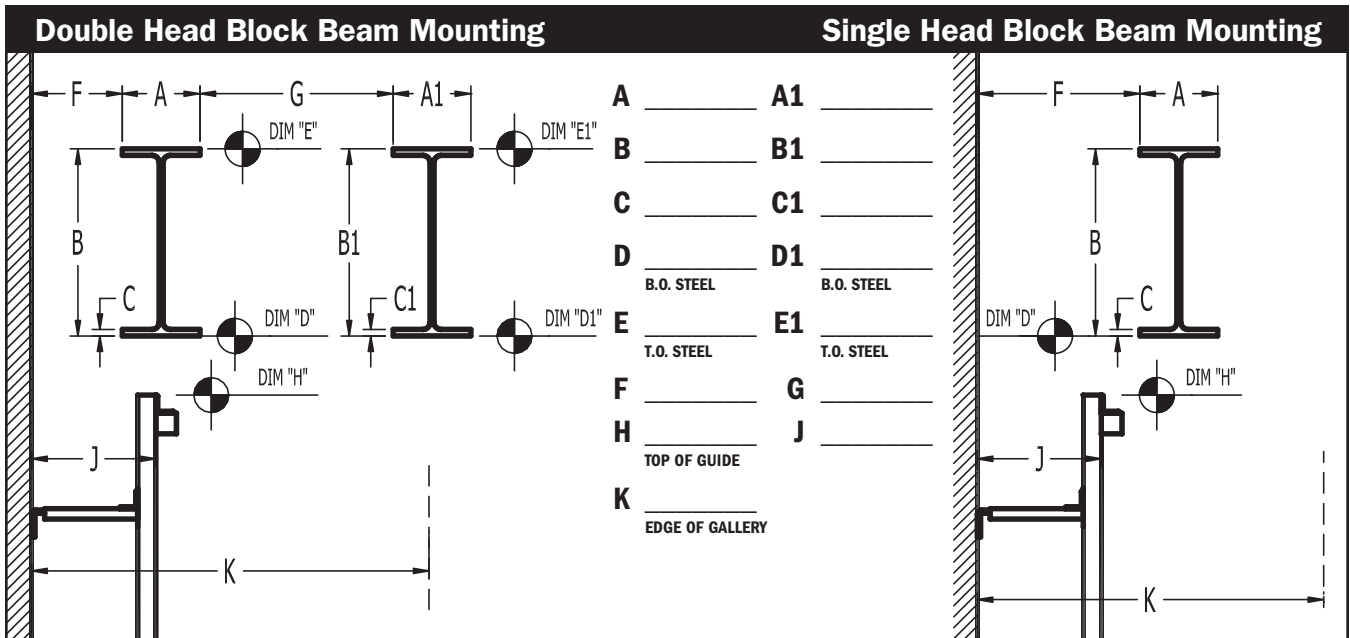
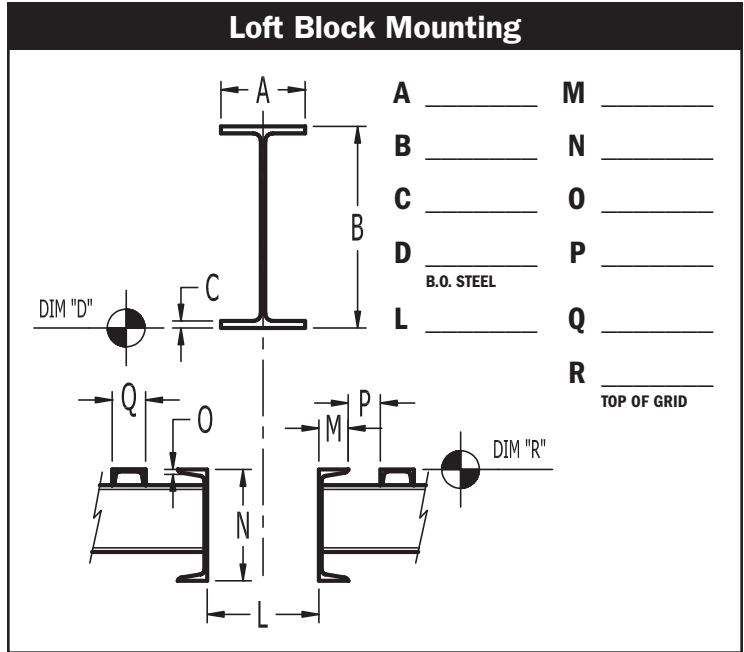
Job Location: \_\_\_\_\_

Completed By: \_\_\_\_\_

Room/Venue: \_\_\_\_\_

Company Name: \_\_\_\_\_

**Special Conditions**



© 2011 J.R. CLANCY, INC.

Field Notes: \_\_\_\_\_

\_\_\_\_\_

Additional field check information is available on our website.

# Doing Business with J.R. Clancy



## Please Don't Hesitate To Contact Us

We're here to answer your questions or concerns. Please feel free to contact us for technical assistance, budgets, quotations, or product information. You can also check on your order, get help with installation questions or safety issues, or just share ideas with us. We're committed to meeting your needs and we'll do everything possible to give you 100% satisfaction.

## We're a 24-Hour Company

Our office hours are 7:30AM–5:30PM EST/EDT Monday through Friday. However, with our voice and e-mail systems, you can leave orders or messages **at any time, day or night**. If your call is extremely urgent, you will be able to reach an operator who will have the appropriate person return your call.

### FOUR WAYS TO REACH US QUICKLY

Phone: **1-800-836-1885** or **1-315-451-3440**

Fax: **1-315-451-1766**

E-Mail: **rigging@jrclancy.com**

Web: **www.jrclancy.com**

## Extraordinary Guarantee

We're 100%

committed to provide

you safe, quality equipment that is

on-time, complete, and correct. If you

feel we've not met this commitment in any way and have caused you to spend additional time or money, we'll make it right at our expense. We'll send you a replacement, allow you to return it for full credit, or reimburse your out-of-pocket costs for correcting the problem.



## Prices are Based on Standard Equipment

This price schedule is effective on July 1, 2011 and may change without notice. All transactions are subject to our terms and conditions which may be found on our website. Prices are based on standard equipment and any modifications are billed as extras. You are responsible for taxes or other fees.

## Typical Turnaround Times

**Please let us know if you have special time requirements – we'll do our best to work with you.**

**Quick Ship:** Up to three sets of standard equipment can be shipped within three business days of receiving your order.

**Standard Equipment:** Up to 20 sets of equipment can be shipped in 2-4 weeks from receipt of your order if no modifications are required. T-Bar, J-Guide™, and modified equipment (special mounting, extended base angles, etc.) will take longer, as we'll prepare drawings for your approval before fabricating the equipment. Typically drawings take 2-3 weeks to prepare after you have provided complete information; once you approve the drawings, 4-6 weeks will be required to fabricate your equipment.

**Custom Equipment:** Motorized components, special sheaves, or other engineered equipment will take a little longer.

## Taxes, Freight, and Duties

Prices do not include taxes, freight, or duties. Shipments are FOB Syracuse, NY. You may, at any time, arrange for transportation.

Otherwise, we will ship by a method with which we are most familiar and request insurance equal to the value of your order. To recover the cost of handling these arrangements for you, we add 15% to the actual shipping charge.

The carrier is solely responsible during shipment. In the event of loss or damage, we will do everything to help. Claims, however, must be filed by you directly with the carrier regardless of who has arranged the transportation. We will be happy to assist with international shipping.

## Payment Terms

Open accounts with net 30 day terms are available to credit-qualified customers. Alternative payment terms, such as payment by joint check or pre-payment are also available. We may request deposits and progress payments on custom equipment or large orders. Large international shipments of products not prepaid require a letter of credit.

For orders under \$100; we ask that these orders be paid in advance or charged to a VISA, MasterCard, or AmericanExpress.

All invoices not paid when due are charged interest at 2% per month, and costs of collection are paid by the invoiced party.

## Handling Returns

Mistakes can happen, so please call us if you need to return a standard item. We'll give you a return authorization, and ask that you return equipment within 60 days. Returns may be subject to a restocking fee.

## Three-Year Warranty

We warrant all equipment manufactured by us to be free from defects in material and workmanship for three (3) years from date of installation. At our option, we will repair, replace, or refund the purchase price of the equipment. Any warranty on items manufactured by others will be assigned to you.

In the case of motorized equipment and equipment comprising an integrated theatre rigging system, the three-year warranty is contingent on inspection of the equipment and training on its use being provided annually by a J.R. Clancy-authorized technician. It is the responsibility of the end user to make arrangements with J.R. Clancy for the annual inspection and training. Failure to obtain the inspection and training annually will void the three-year warranty. In the event scaffolding or temporary lifts are required in order to perform the warranty work on the J.R. Clancy equipment, this is not covered in this warranty, and the cost of renting the scaffolding and portable lifts will be your responsibility.

No claims will be honored for equipment which, in our opinion, has become defective due to misuse, abuse, accident, act of God, alteration, vandalism, improper installation, or improper maintenance. Ordinary wear and tear is also excluded.

We make no implied warranties of any kind, including warranty or merchantability, or warranty of fitness for a particular purpose, all of which are expressly disclaimed. We will not be liable under this warranty for consequential or incidental damages of any kind, including damages due to lost profits, loss of use, delays, personal injury, or property damage.