

## Straight Lift Fire Curtain

- Provides a fire-rated barrier between the stage and auditorium, as required by the International Building Code (IBC) and other building codes.
- Brail or Straight Lift styles, to suit your stage architecture.
- Manual or Motorized – all curtains close automatically when activated, non-emergency operations can be motorized for convenience or code compliance.
- Zetex® Plus 1210ZP curtains (40 oz./sq. yd. [1.36 kg/m<sup>2</sup>]) are Listed by the State of California Fire Marshall (1670-1164:0101), and by the NYC Department of Buildings Materials and Equipment Acceptance Division (MEA 212-08-M). Listings are for curtains with or without wire insertion.
- Zetex® Plus 1210ZP curtains have a one-hour rating, exceeding fire code requirements.
- Fabric is available in natural (tan) or black.
- Framed-type curtains also available.
- Fire curtain systems meet ANSI E1.22 – 2009 “Entertainment Technology Fire Safety Curtain Systems” or NFPA 80 “Standard for Fire Doors and Other Opening Protectives – 2007”.

## Ordering Information

| Product Code | Description   |
|--------------|---|
| 017-1201     | Zetex Fire Curtain, Straight Lift                       |
| 017-1201B    | Zetex Fire Curtain, Straight Lift, Black                |
| 017-1201BW   | Zetex Fire Curtain, Straight Lift, Black, Wire Inserted |
| 017-1201W    | Zetex Fire Curtain, Straight Lift, Wire Inserted        |
| 017-1203     | Zetex Fire Curtain, Brail                               |
| 017-1203B    | Zetex Fire Curtain, Brail, Black                        |

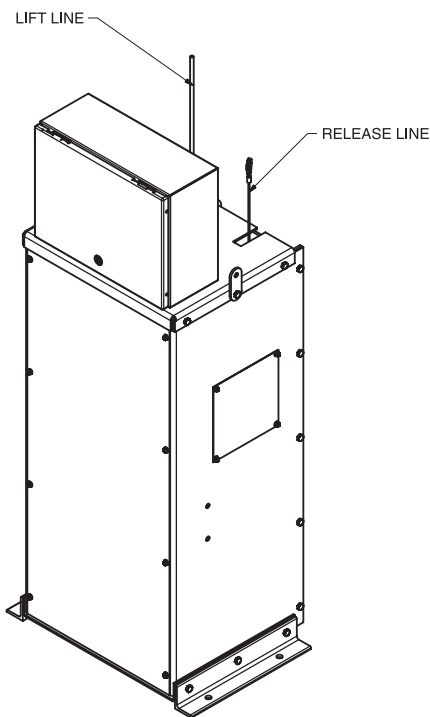
*Please provide section and elevation drawings of the proscenium wall area when requesting a quotation.*

- Heat-resisting borders are used to help protect stage curtains and scenery from heat from theatrical lighting fixtures.
- Borders are sewn from Zetex® Plus 800ZP fabric (26 oz./sq. yd. [.88 kg/m<sup>2</sup>]).
- Fabric is available in natural (tan) or black.
- Includes webbing, grommets, and ties on 1' (0.3 m) centers on the upper edge.

### Ordering Information

| Product Code | Description           |
|--------------|-----------------------|
| 017-1204     | Zetex Border, Natural |
| 017-1204B    | Zetex Border, Black   |

*Please provide length and height of the border when requesting a quotation.*

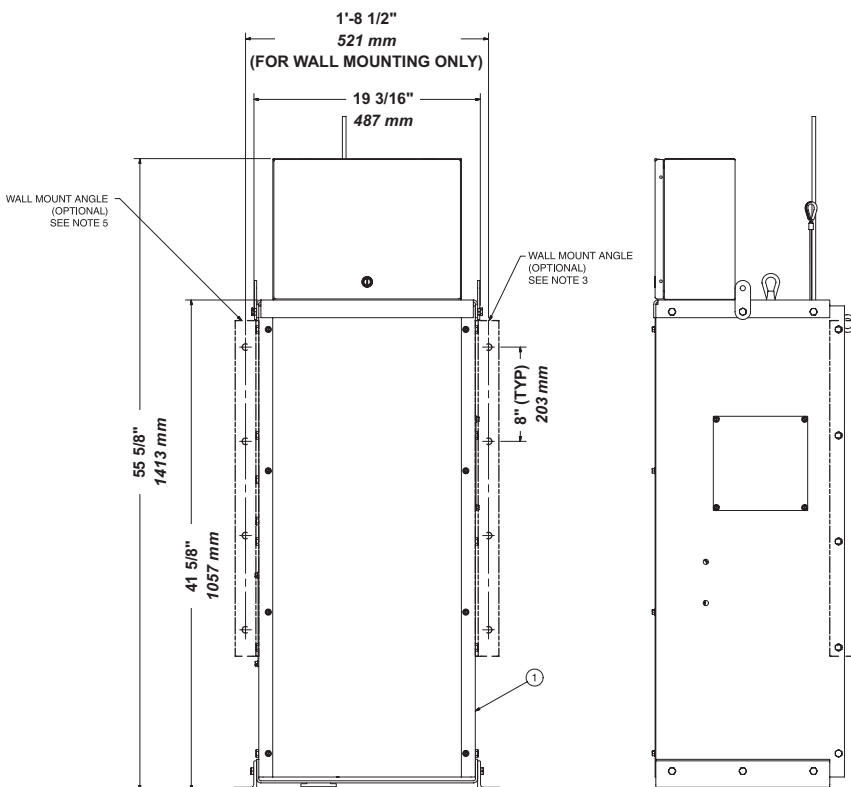


- Motorized fire curtain hoist with integral speed regulation used to raise and lower fire curtains - up to 1,100 lbs. (499 kg).
- Push button control stations for easy operation.
- Emergency lowering speed controlled by hydraulic speed regulator.
- 75' (22.9 m) of 5/16" (7.9 mm) of drive line included.
- Meets requirements of ANSI E1.22 – 2009 “Entertainment Technology Fire Safety Curtain Systems” or NFPA 80 “Standard for Fire Doors and Other Opening Protectives – 2007”.
- Control Station included.
- Available for operation on 208, 230, or 460 VAC 3 phase power. Please confirm voltage at time of ordering.

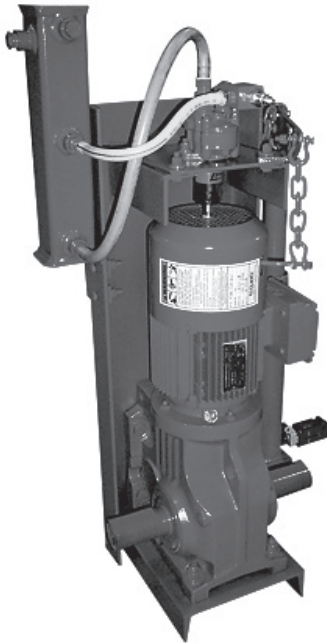
## Ordering Information

| Product Code | Description                  | Capacity            | Wt.                |
|--------------|------------------------------|---------------------|--------------------|
| 016-500P     | Motorized Fire Curtain Hoist | 1100 lbs.<br>499 kg | 550 lbs.<br>249 kg |

## Dimensions



**Motorized Fire Curtain Hoist  
016-500P**



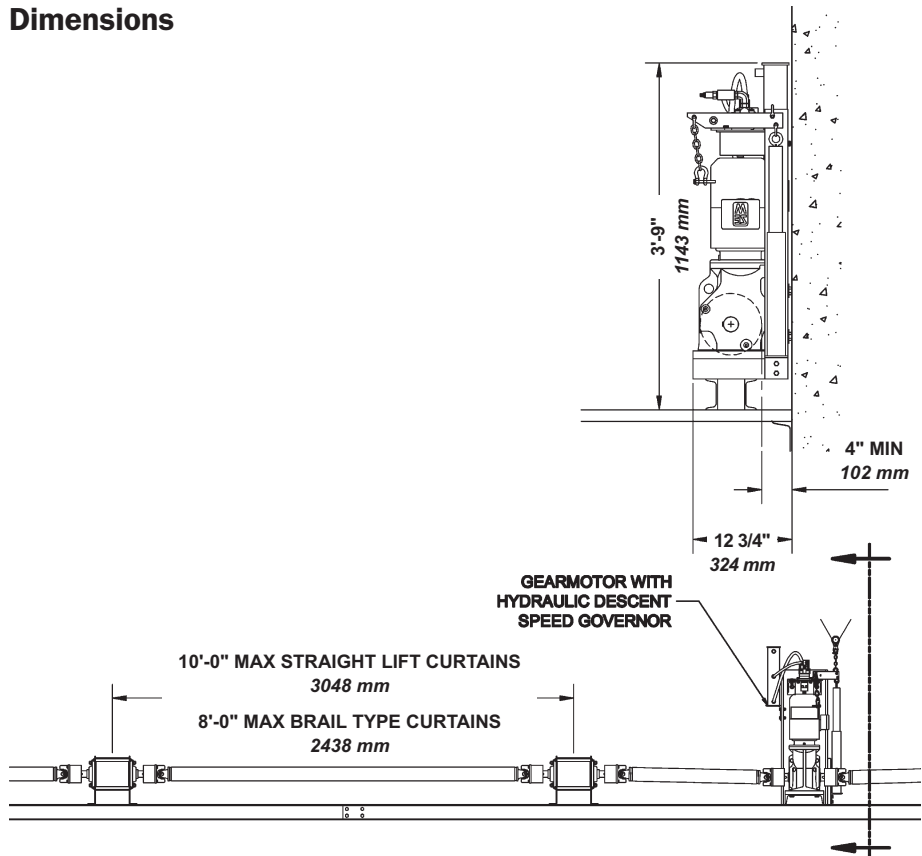
**Fire Curtain Line Shaft Hoist  
016-FCLS**

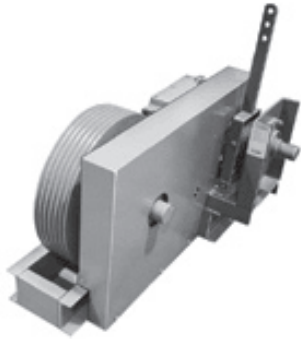
- Simple, convenient operation of large fire curtains — up to 1,400 lbs. (635 kg).
- Motorized line shaft hoist used to raise and lower fire curtains.
- Normal operation by push button control stations allows easy raising and lowering.
- The curtain is held in place by a disk brake which is engaged by the fire line. When released an adjustable hydraulic speed governor controls the curtain's descent speed.
- Shaft length and number of drums provided to meet your specific project requirements.
- Available for operation on 208, 230, or 460 VAC 3 phase power. Please confirm voltage at time of ordering.
- Push button control stations.

## Ordering Information

| Product Code | Description                   | Capacity            | Wt.    |
|--------------|-------------------------------|---------------------|--------|
| 016-FCLS     | Fire Curtain Line Shaft Hoist | 1400 lbs.<br>635 kg | Varies |

## Dimensions





**Traction Drive Hoist  
016-2TW**

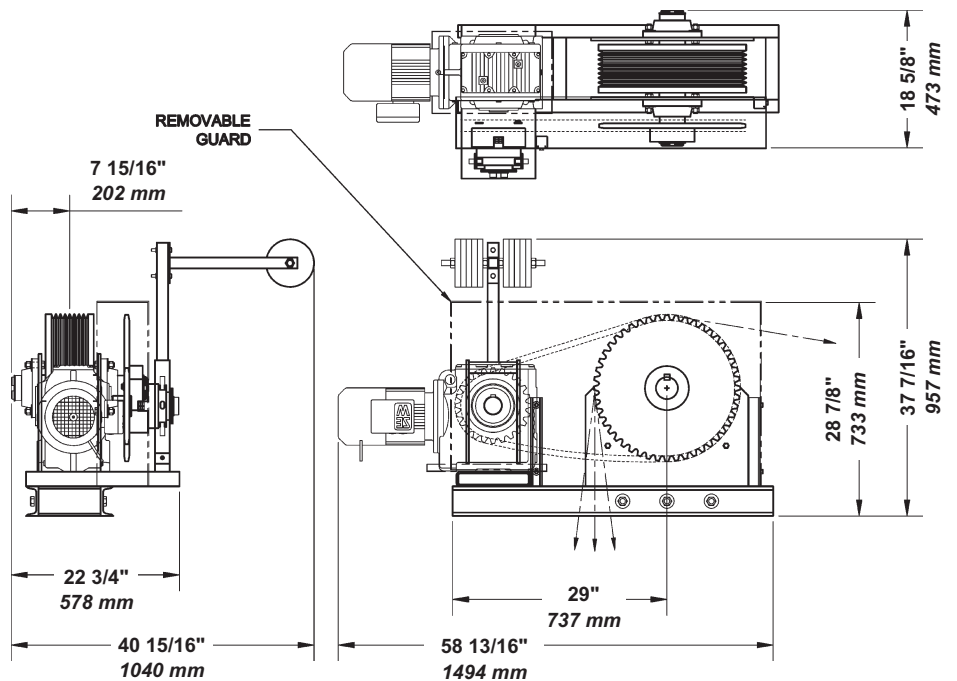
- Used to motorize counterweighted straight lift fire curtains.
- V-grooves in the head block drive the lift line cables to open and close the curtain during normal operation.
- A clutch between the gearbox and the traction head block is held engaged by the fire line. When the fire line is released, the clutch is disengaged, allowing the head block to freewheel so that the curtain closes. The system must be curtain heavy.
- A separate dashpot or speed regulator may be necessary for speed control.
- Track-mounted limit switches limit the travel.
- Operates on 208, 230, or 460 VAC 3 phase power. Please confirm voltage at time of ordering.

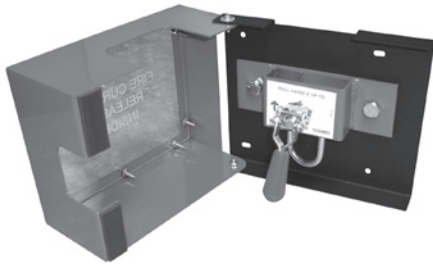
## Ordering Information

| Product Code | Description  | RWL                 | Wt.                 |
|--------------|--|---------------------|---------------------|
| 016-2TW      | Fire Curtain Traction Hoist 2000 lbs. (907 kg),<br>25 fpm (0.13 m/s) | 2000 lbs.<br>907 kg | 1200 lbs.<br>544 kg |

**RWL:** RWL is maximum load that can be applied to the traction drive hoist which is in "like new" condition and has been properly installed, maintained, and operated.

## Dimensions





**Fire Line Release  
016-14L**

**Fire Curtain Release Enclosure  
016-14EX**

**Lever Release**

- Easy-to-use lever provides a simple, positive method of releasing the fire line.
- No pins to pull or lose.
- The over-center design of the lever offers added reliability, ensuring the handle will pull the pin and release the fire line. This overcomes the tendency of some pull ring systems to bind when the fire line is heavily loaded.
- Includes fire release sign.

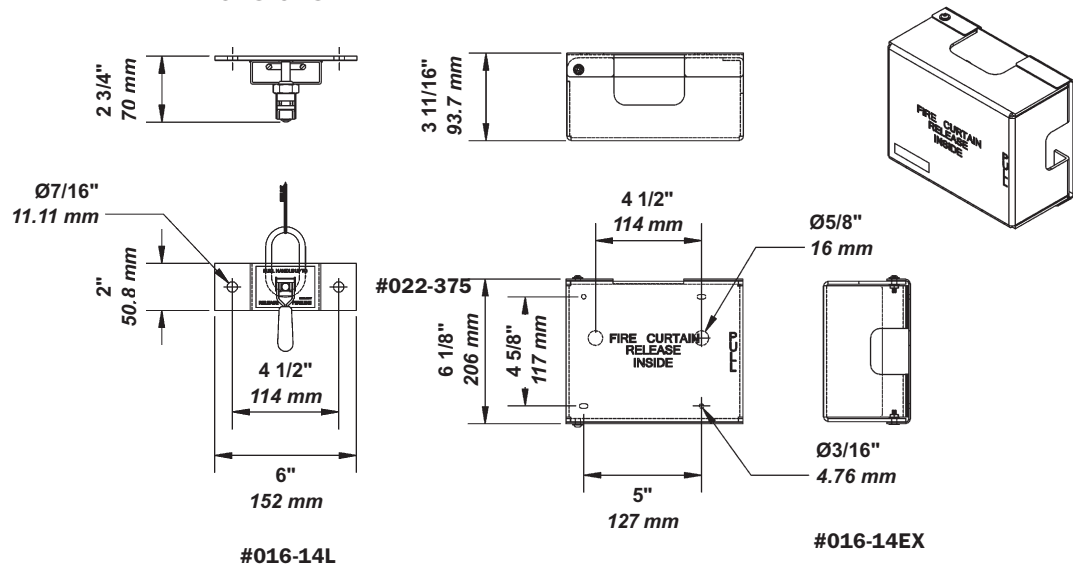
**Enclosure**

- Sturdy enclosure accommodates the lever and mounting hardware.
- A clear acrylic window allows clear view of the release.
- The integral hand grip allows the cover to be opened easily in the event of fire, yet provides protection against accidental activation.
- High contrast lettering on the cover for easy visibility.

**Ordering Information**

| Product Code | Description                    | Wt.                 |
|--------------|--------------------------------|---------------------|
| 016-14L      | Fire Line Release              | 1.5 lbs.<br>0.68 kg |
| 016-14EX     | Fire Curtain Release Enclosure | 2 lbs.<br>0.91 kg   |

**Dimensions**





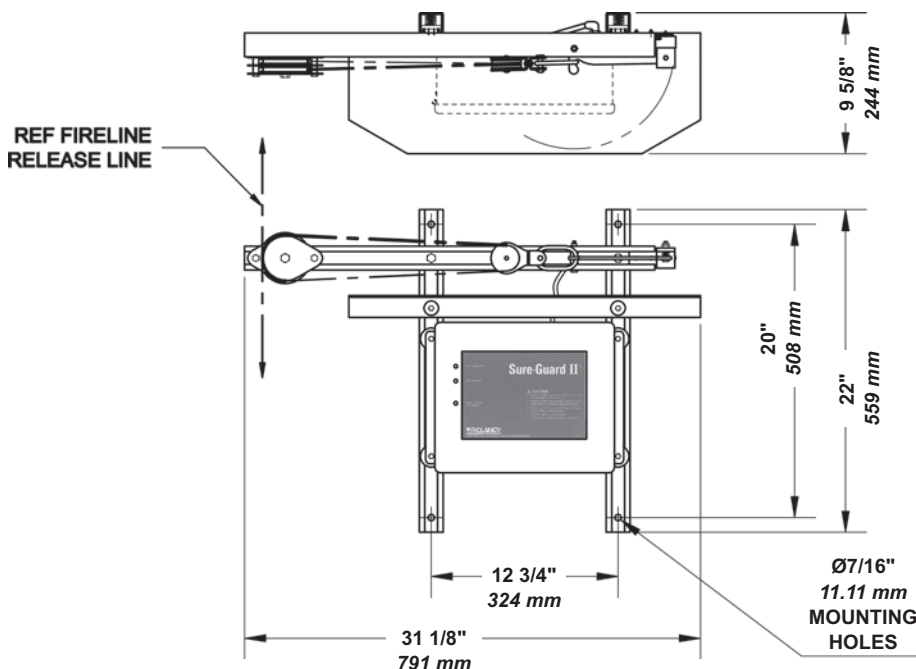
**SureGuard II Release System  
016-970**

- Allows fire detection systems such as smoke detectors or other electrical signals to release the fire curtain.
- Works with sensors using either “Normally Open” or “Normally Closed” contacts.
- When triggered, the Sure-Guard II’s electro-mechanical mechanism releases tension in the fire line, allowing the fire safety curtain to close. The release mechanism may be attached to the fire line at any point and does not interfere with other release mechanisms.
- Release mechanism is jostle resistant to reduce false tripping.
- A sealed lead acid battery and charger holds the release in the event of power loss.
- 120 VAC power required.
- UL Listed.

**Ordering Information**

| Product Code | Description                 | Wt.                |
|--------------|-----------------------------|--------------------|
| 016-970      | SureGuard II Release System | 40 lbs.<br>18.1 kg |

**Dimensions**





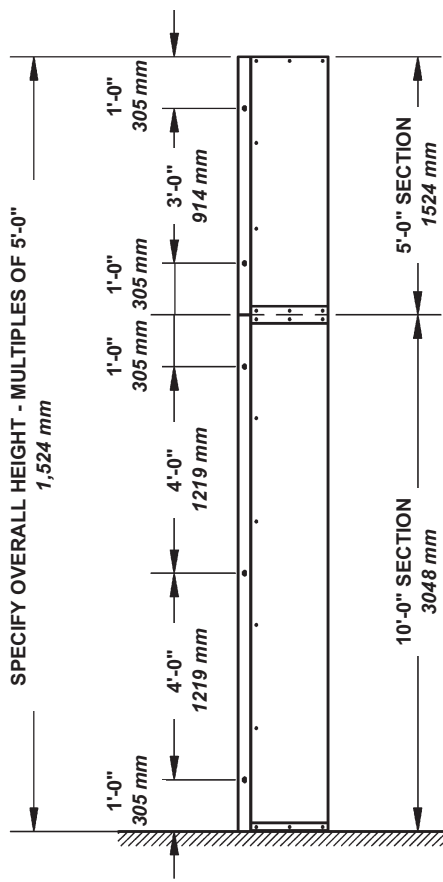
**Smoke Pocket**  
**016-106005**

- Smoke pockets contain the sides of the curtain to reduce the passage of smoke and house the curtain guides.
- Pockets consist of a 6" (152 mm) or 8" (203 mm) deep "Z" channel and 18" (457 mm) wide plates, all formed from 1/4" (6.35 mm) steel plate in 5' (1.524 m) and 10' (3.048 m) lengths. The removable 18" (457 mm) plates make smoke pocket and curtain installation faster and simpler than one piece designs.
- 6" (152 mm) pockets are used with most straight lift curtains; 8" (203 mm) deep pockets are used with brail fire curtains.
- All connections are bolted for serviceability.
- Sections anchor to the building with 1/2" (12.7 mm) bolts or anchors on 4' (1.2 m) centers.
- Pockets with guide tracks are used for fire curtains with O16-370 roller guides.

### Ordering Information

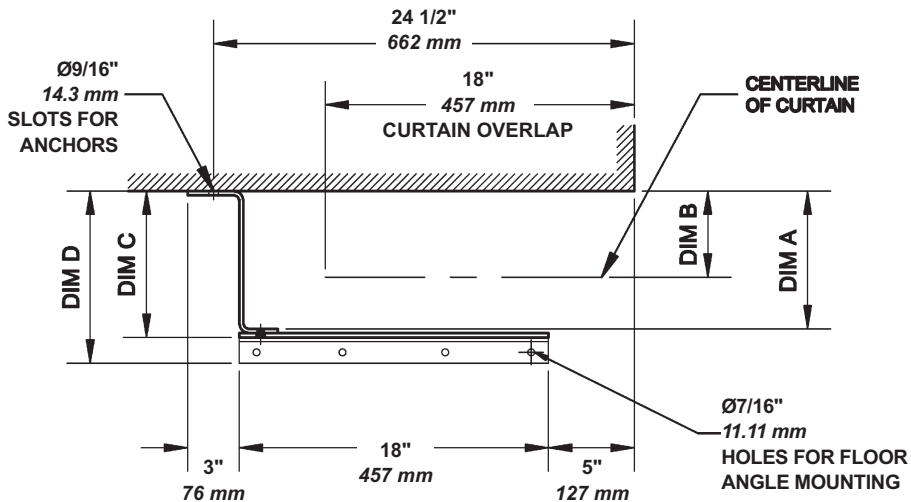
| Product Code | Description   | Wt.                  |
|--------------|---|----------------------|
| 016-106005   | 6" Deep x 5' high (152 mm x 1.524 m) Smoke Pocket             | 111 lbs.<br>50.3 kg  |
| 016-106010   | 6" Deep x 10' high (152 mm x 3.048 m) Smoke Pocket            | 222 lbs.<br>100.6 kg |
| 016-108005   | 8" Deep x 5' high (203 mm x 1.524 m) Smoke Pocket             | 119 lbs.<br>54 kg    |
| 016-108010   | 8" Deep x 10' high (203 mm x 3.048 m) Smoke Pocket            | 238 lbs.<br>108 kg   |
| 016-106T05   | 6" Deep x 5' high (152 mm x 1.524 m) Smoke Pocket with track  | 125 lbs.<br>56.7 kg  |
| 016-106T10   | 6" Deep x 10' high (152 mm x 3.048 m) Smoke Pocket with track | 250 lbs.<br>113.4 kg |

## Dimensions

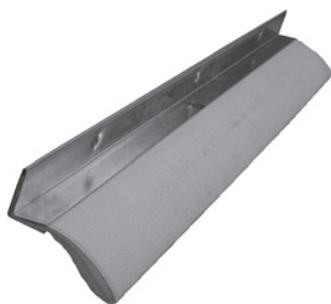


TYPICAL ELEVATION

| Item Number | Height       | Dim. A       | Dim. B       | Dim. C           | Dim. D        |
|-------------|--------------|--------------|--------------|------------------|---------------|
| 016-106005  | 5'<br>1.5 m  | 6"<br>152 mm | 3"<br>76 mm  | 6 1/2"<br>165 mm | 8"<br>203 mm  |
| 016-106010  | 10'<br>3.0 m | 6"<br>152 mm | 3"<br>76 mm  | 6 1/2"<br>165 mm | 8"<br>203 mm  |
| 016-108005  | 5'<br>1.5 m  | 8"<br>203 mm | 5"<br>127 mm | 8 1/2"<br>216 mm | 10"<br>254 mm |
| 016-108010  | 10'<br>3.0 m | 8"<br>203 mm | 5"<br>127 mm | 8 1/2"<br>216 mm | 10"<br>254 mm |
| 016-106T05  | 5'<br>1.5 m  | 6"<br>152 mm | 3"<br>76 mm  | 6 1/2"<br>165 mm | 8"<br>203 mm  |
| 016-106T10  | 10'<br>3.0 m | 6"<br>152 mm | 3"<br>76 mm  | 6 1/2"<br>165 mm | 8"<br>203 mm  |



TYPICAL PLAN



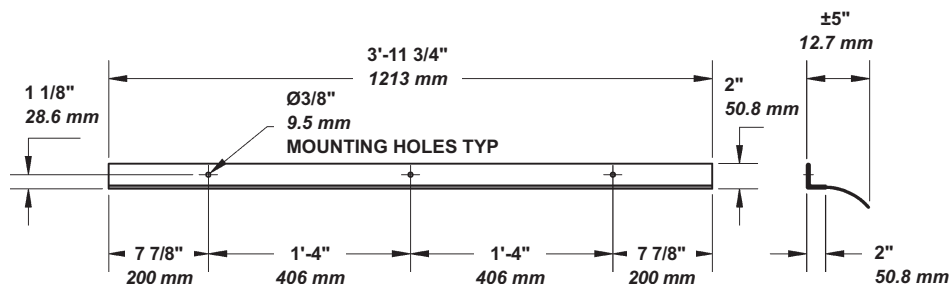
**Smoke Seal Assembly  
016-SEAL4**

- Used to seal the horizontal gap between the top of the fire curtain and the proscenium wall.
- Modular pieces are 4' (1.2 m) long making handling easier and reducing field installation time.
- A triple layer of Zetex™ fabric is factory crimped into the folded steel mounting angle, providing the stiffness necessary to maintain contact with the fire curtain.
- The angle is pre-punched on 16" (406 mm) centers for mounting convenience.
- Each piece weighs only 5.5 lbs. (2.5 kg), for simple handling.
- Smoke seal sections may be trimmed to fit as required.

### Ordering Information

| Product Code | Description                             | Wt.              |
|--------------|---|------------------|
| 016-SEAL4    | Smoke Seal Assembly, 4 ft. long (1.2 m) | 6 lbs.<br>2.7 kg |

### Dimensions





**Curtain Guide, Bronze Spool  
016-170**



**Curtain Guide, UHMW Spool  
016-171**



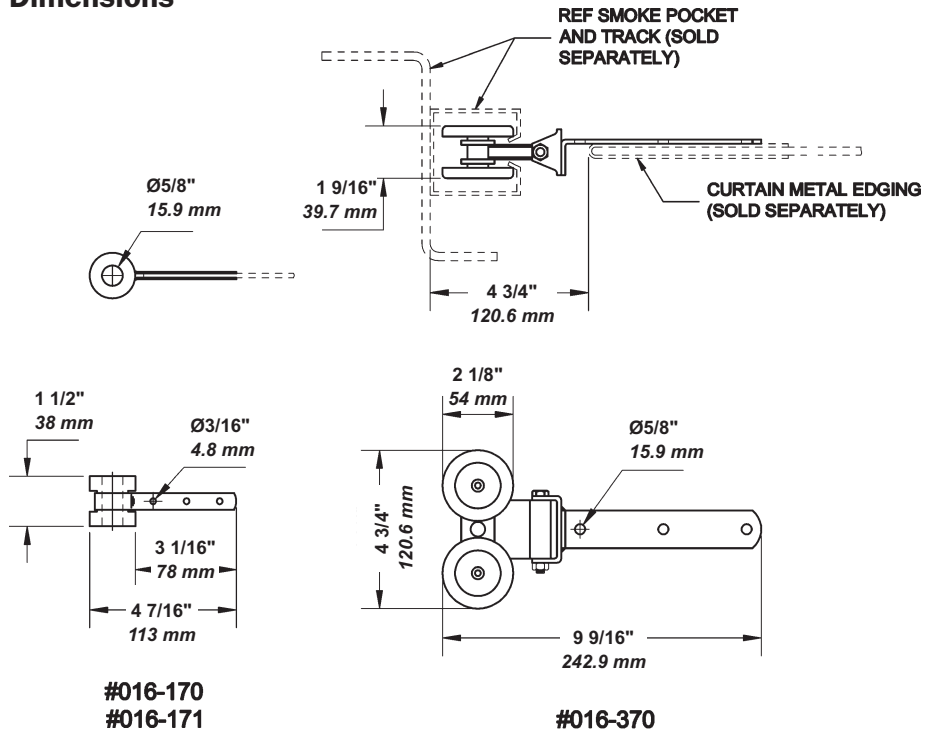
**Curtain Guide, Steel Rollers  
016-370**

- Curtain guides are used on the edges of fire curtains and other curtains to guide the curtains along tensioned wire ropes or in tracks. This reduces the bowing from unequal pressure on the opposite sides of the curtain.
- Bronze guides are traditional and are necessary for fire safety curtains.
- The ultra-high molecular weight (UHMW) plastic guides are lighter in weight and quieter in operation. These are not recommended for use on fire curtains, but are very useful for guided stage curtains to control movement and to prevent hour glassing.
- Roller guides are used with tracks for heavier duty applications. See the Fire Curtain Smoke Pockets page for information on smoke pockets with guide tracks for use with roller guides.

## Ordering Information

| Prod. Code | Description   | Wt.                 |
|------------|---|---------------------|
| 016-170    | Curtain Guide, Bronze Spool                                     | 0.3 lb.<br>0.14 kg  |
| 016-171    | Curtain Guide, UHMW Spool (Not for Fire Safety Curtain Use)     | 0.2 lb.<br>0.09 kg  |
| 016-370    | Curtain Guide, Steel Rollers (Requires steel hem reinforcement) | 1.3 lbs.<br>0.59 kg |

## Dimensions





**Round Weight Arbor  
016-8**

- Round weights are used to tension fire lines, dashpot cables, and overbalance clutch levers.
- Round weight arbors hold 1 to 10 round weights.
- An arbor guard is available.

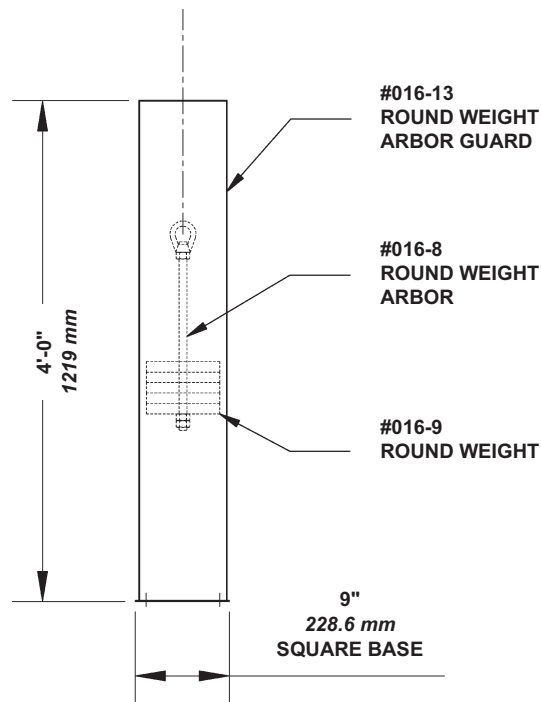
## Ordering Information

| Product Code | Description                    | Wt.               |
|--------------|--------------------------------|-------------------|
| 016-8        | Round Weight Arbor             | 3 lbs.<br>1.36 kg |
| 016-9        | Round Weight (5 lbs. [2.7 kg]) | 5 lbs.<br>2.7 kg  |
| 016-13       | Round Weight Arbor Guard       | 15 lbs.<br>6.8 kg |

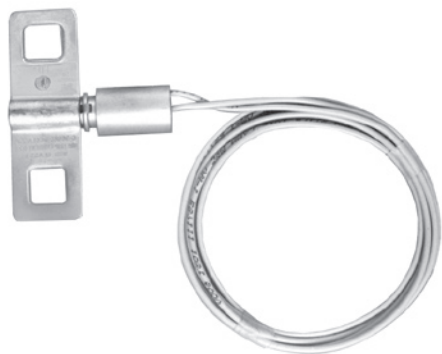


**Round Weight  
016-9**

## Dimensions



**Round Weight Arbor Guard  
016-13**



**Electro Thermal Link  
016-ETL**

**Electro Thermal Link**

- Used to connect the fire curtain system to fire alarms or other electrical systems.
- Link separates when electricity is applied.
- UL Listed.

**Rate of Rise Detector**

- Used to release fire curtain when:
  - Temperature raises 15°F (7.1C) in one minute.
  - Temperature exceeds 135°F (57.2°C).
- Normally open contact.
- UL Listed.



**Rate of Rise Detector  
099-281B**

**Fusible Link**

- Placed in the fire line to release the fire curtain.
- Link separates at a temperature of 165°F (74°C).
- UL Listed.

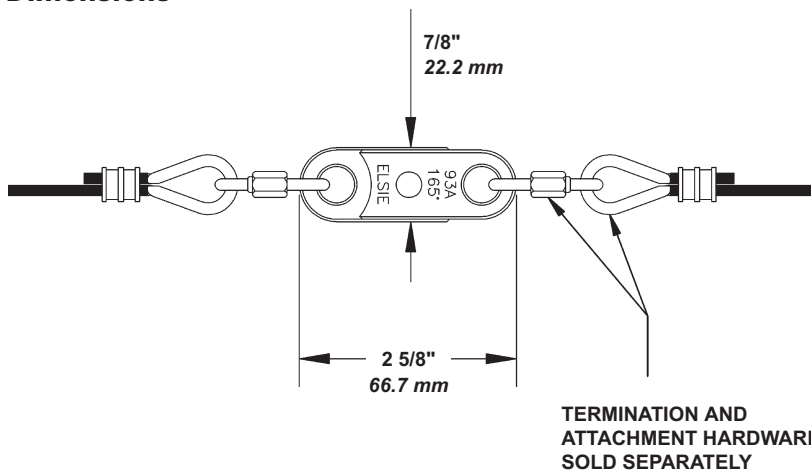
**Ordering Information**

| Product Code | Description                    | RWL                | Wt.                 |
|--------------|--------------------------------|--------------------|---------------------|
| 016-ETL      | Electro Thermal Link           | 40 lbs.<br>18.1 kg | 0.2 lb.<br>0.09 kg  |
| 099-281B     | Rate of Rise Detector          | –                  | –                   |
| 016-7519     | Fusible Link 40 lbs. (18.1 kg) | 40 lbs.<br>18.1 kg | 0.04 lb.<br>0.01 kg |



**Fusible Link  
016-7519**

**Dimensions**





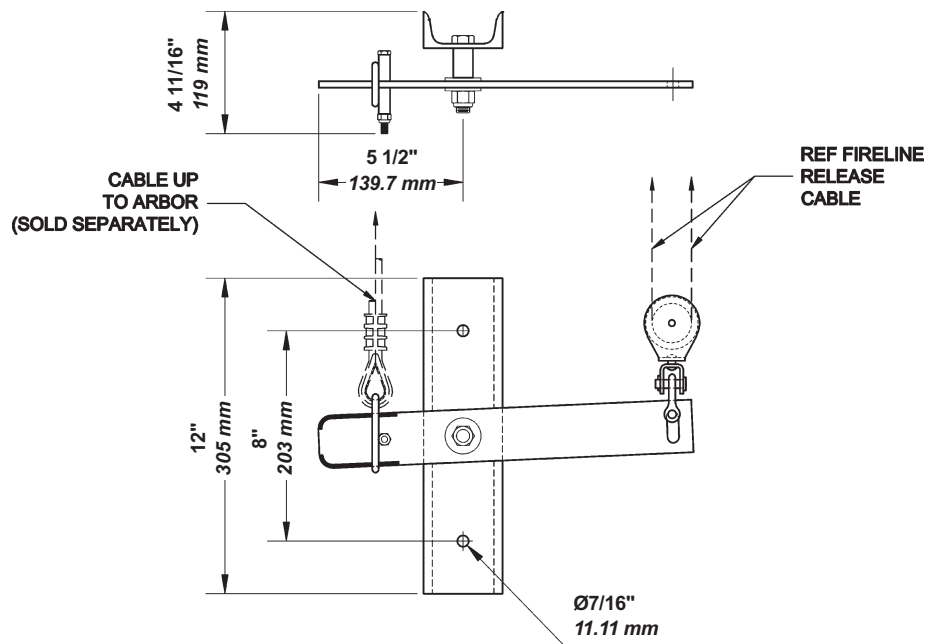
- Releases the arbor, allowing a manually operated straight lift fire curtain to close.
- Dependable operation — easier to use and reset than traditional free end ball systems.
- Simple installation for new or existing stages.
- Our unique design ensures dependable operation. The ring and line on the left are attached to the bottom of the arbor, keeping the curtain open. The lever is held in place by the fire line (at right). Once the fire line is released the lever pivots, releasing the arbor and allowing the curtain to close.
- Includes pivoting release lever, swivel eye awning pulley with shackle, and ring.

**Fire Curtain Arbor Release  
016-AR**

## Ordering Information

| Product Code | Description                | Wt.               |
|--------------|----------------------------|-------------------|
| 016-AR       | Fire Curtain Arbor Release | 10 lbs.<br>4.5 kg |

## Dimensions





**Swivel Eye Pulley**  
**099-SWEP**

- Used in fire lines.
- 2 1/4" (57.1 mm) sheave grooved for 1/8" (3.175 mm) wire rope.
- Swivel eye with 7/8" (22.2 mm) diameter opening.

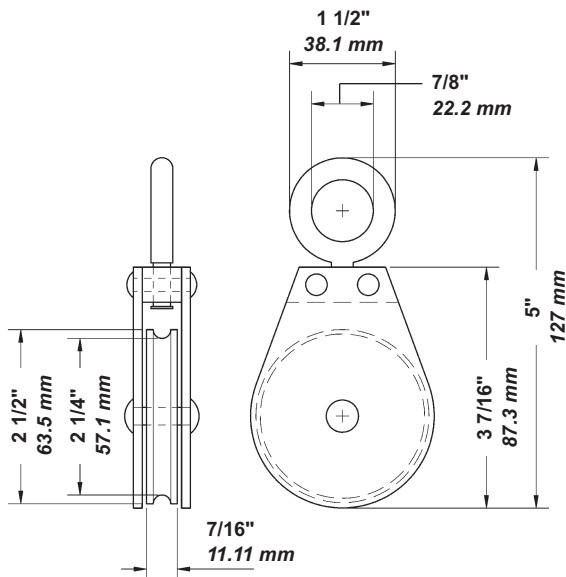
### Ordering Information

| Product Code | Description       | RWL                | Wt.              |
|--------------|-------------------|--------------------|------------------|
| 099-SWEP     | Swivel Eye Pulley | 250 lbs.<br>1.3 kg | 1 lb.<br>0.45 kg |

RWL is based on an 8:1 safety factor.

**RWL:** RWL is maximum load that can be applied to the swivel eye pulley which is in "like new" condition and has been properly installed, maintained, and operated.

### Dimensions





**Hydraulic Dashpot  
016-410L**

- Used on heavy straight lift fire curtains to slow the last few feet of descent. May be needed to meet code requirements that the last 8' (2.4 m) of travel take 5 or more seconds.
- Provides 10' (3.0 m) of damping using a double purchased 5' (1.5 m) piston.
- 12" (305 mm) diameter sheave for  $\frac{3}{8}$ " (9.5 mm) dashpot cable.
- The dashpot is rigged in a double purchase arrangement with a cable which is snatched by the fire curtain arbor when the curtain is nearing the floor. The dashpot cable pulls on the sheave at the top of the piston rod of the hydraulic cylinder. A fluid flow adjusting valve is preset to provide the appropriate retarding force on the piston, braking the descent of the curtain. The piston and cylinder automatically release the oil to return the unit to an "at rest condition" when the curtain is raised.
- 016-410L used for curtains up to 3500 lbs. (1588 kg).
- 016-411L used for curtains up to 1250 lbs. (567 kg).
- Custom units available.

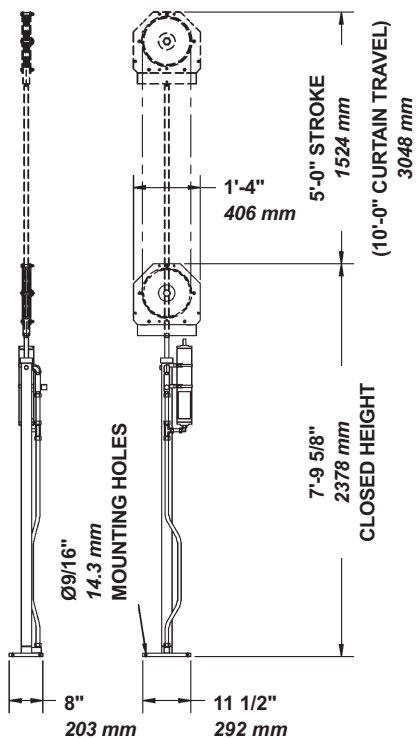
### Ordering Information

| Product Code | Description                      | RWL                  | Wt.                 |
|--------------|----------------------------------|----------------------|---------------------|
| 016-410L     | Hydraulic Dashpot, Heavy Duty    | 3500 lbs.<br>1588 kg | 200 lbs.<br>90.7 kg |
| 016-411L     | Hydraulic Dashpot, Standard Duty | 1250 lbs.<br>567 kg  | 115 lbs.<br>52.2 kg |

*RWL is based on an 8:1 safety factor.*

**RWL:** RWL is maximum load that can be applied to the dashpot which is in "like new" condition and has been properly installed, maintained, and operated.

## Dimensions



#016-411L