



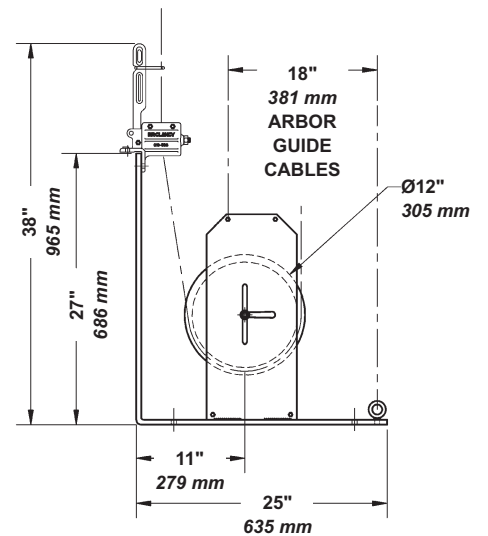
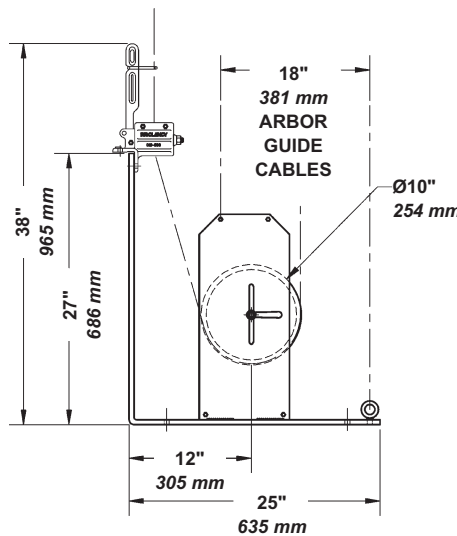
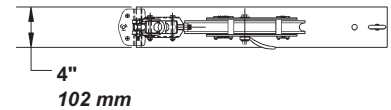
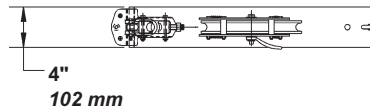
**Adjustable Combination Floor Block
6CR-218**

- Used with individual wire-guided, J-Guide, or T-Bar sets.
- Rope lock (010-533R) and floor block in a single unit.
- ASTM Class 30 grey iron sheave, grooved for $\frac{3}{4}$ " (19 mm) rope.
- Sealed precision ball bearings.
- Incorporates tie off points for guide wires.
- Sheave position may be adjusted to properly tension the hand line.

Ordering Information

Product Code	Description	Wt.
6CR-218	10" (254 mm)	71 lbs. 32.2 kg
6CR-418	12" (305 mm)	80 lbs. 36.3 kg

Dimensions



#6CR-218

#6CR-418