



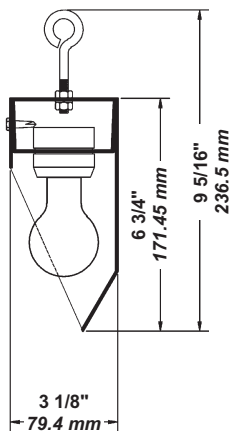
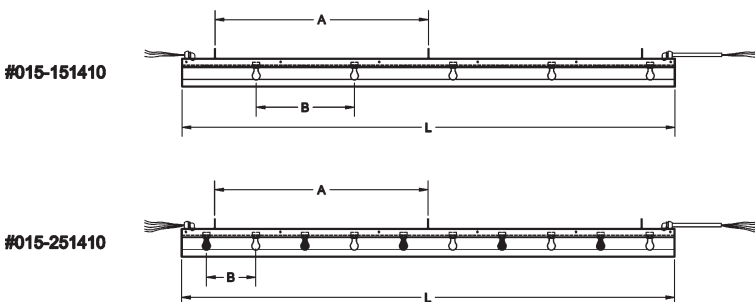
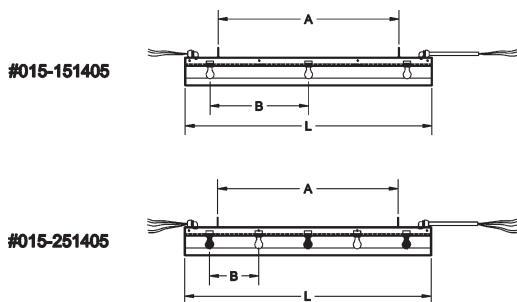
**Index Light**  
**015-151405**

- Used to light the locking rail, fly, and loading galleries, with minimal light bleeding.
- Black exterior with white interior for even light distribution.
- UL Listed.
- Use with 40W “A” lamps.
- Two-circuit units allow the use of two colors.

## Ordering Information

Product Code	Description	Length	Socket Spacing	Wt.
015-151405	One Circuit	5' 1.5 m	24" 610 mm	15 lbs. 6.8 kg
015-151410	One Circuit	10' 3 m	24" 610 mm	30 lbs. 13.6 kg
015-251405	Two Circuit	5' 1.5 m	12" 305 mm	15 lbs. 6.8 kg
015-251410	Two Circuit	10' 3 m	12" 305 mm	30 lbs. 13.6 kg

## Dimensions



ITEM NUMBER	LENGTH	DIM A	DIM B	LAMPS
015-151405	5' 1.5 m	44" 1118 mm	24" 610 mm	3
015-151410	10' 3 m	52" 1321 mm	24" 610 mm	5
015-251405	5' 1.5 m	44" 1118 mm	12" 305 mm	5
015-251410	10' 3 m	52" 1321 mm	12" 305 mm	10