

**Loft Block  
2CC-10819R**

- Underhung style, supported by a single structural beam.
- Nylon or ASTM Class 30 grey iron sheaves.
- Sealed precision ball bearings (Single line, 8" (203 mm) nominal sheave only) or tapered roller bearings.
- 10 gauge (3.41 mm) side plates.
- 3/4" (19 mm) drawbolt and steel clip allow a 5" (127 mm) grip adjustment to accommodate a range of beam sizes.
- A minimum of three spacers between the side plates; to prevent cables from escaping the sheave grooves.

**Ordering Information**

Sheave Diameter	Lines	Bearings	Cast Iron Prod. Code	RWL	Wt.	Nylon Prod. Code	RWL	Wt.
<b>Cable Blocks (1/4" [6.35 mm] cable)</b>								
8 1/2" 216 mm	1	17 mm BB	2CC-10819R	500 lbs. 227 kg	14 lbs. 6.35 kg	2NC-10819R	500 lbs. 227 kg	9 lbs. 4 kg
8 1/2" 216 mm	2	17 mm BB	2CC-20819R	500 lbs. 227 kg	14 lbs. 6.35 kg	2NC-20819R	500 lbs. 227 kg	10 lbs. 4.5 kg
8 1/2" 216 mm	1	17 mm TRB	3CC-10819R	500 lbs. 227 kg	14 lbs. 6.35 kg	3NC-10819R	500 lbs. 227 kg	9 lbs. 4 kg
8 1/2" 216 mm	2	17 mm TRB	3CC-20819R	500 lbs. 227 kg	14 lbs. 6.35 kg	3NC-20819R	500 lbs. 227 kg	10 lbs. 4.5 kg
8 1/2" 216 mm	4	1" TRB 25.4 mm	3CC-40819R	1300 lbs. 590 kg	34 lbs. 15.4 kg	3NC-40819R	1300 lbs. 590 kg	25 lbs. 11.3 kg
8 1/2" 216 mm	8	1" TRB 25.4 mm	3CC-80819R	1300 lbs. 590 kg	44 lbs. 20 kg	3NC-80819R	1300 lbs. 590 kg	28 lbs. 12.7 kg
12"* 305 mm	1	1" TRB 25.4 mm	3CC-11219R	700 lbs. 317 kg	47 lbs. 21.3 kg	-	-	-
<b>Cable Blocks (3/16" [4.76 mm] cable)</b>								
8 1/2" 216 mm	1	17 mm BB	-	-	-	2NP-10819R	500 lbs. 227 kg	9 lbs. 4 kg
8 1/2" 216 mm	1	17 mm TRB	-	-	-	3NP-10819R	500 lbs. 227 kg	9 lbs. 4 kg
8 1/2" 216 mm	8	1" TRB 25.4 mm	-	-	-	3NP-80819R	1300 lbs. 590 kg	28 lbs. 12.7 kg
<b>Rope Blocks (3/4" [19 mm] rope)</b>								
8" 203 mm	1	17 mm BB	2CR-10819R	500 lbs. 227 kg	14 lbs. 6.35 kg	2NR-10819R	700 lbs. 317 kg	9 lbs. 4 kg
8" 203 mm	1	17 mm TRB	3CR-10819R	500 lbs. 227 kg	14 lbs. 6.35 kg	3NR-10819R	700 lbs. 317 kg	9 lbs. 4 kg

\*AVAILABLE FOR 1/4" (6.35 mm) OR 3/8" (9.5 mm) CABLE, SPECIFY.

19 Series blocks grip the bottom flanges of beams. Blocks have a 3/8" (9.5 mm) throat with a grip range of 4" - 9" (102 - 229 mm). Change the suffix from "R" to "U" for a 3/4" (19 mm) throat with a 4 1/8" - 10" (104.8 - 254 mm) grip range.

To add Idlers to 8" (203 mm) Underhung Blocks — Change last letter to "I3" or "I6" to indicate 3 or 6 idler grooves.

**RWL:** RWL is maximum load that can be applied to a block which is in "like new" condition and has been properly installed, maintained, and operated.



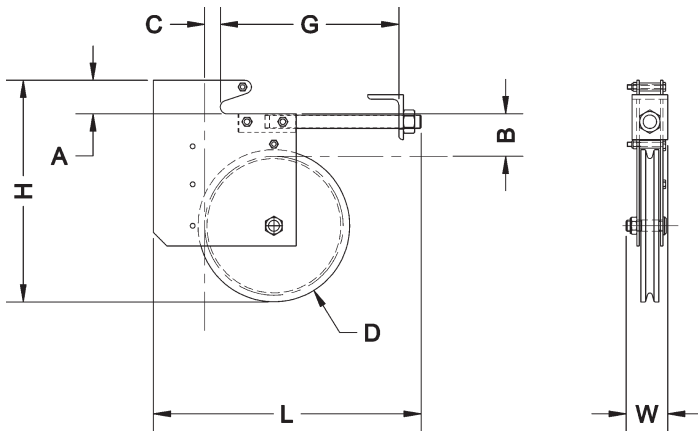
**Design, Manufacture and Installation of Theatrical Equipment Worldwide**

7041 Interstate Island Road ■ Syracuse, New York USA 13209-9713  
315-451-3440 ■ 1-800-836-1885 ■ Fax: 315-451-1766 ■ www.jrclancy.com

© J.R. Clancy 2011



Dimensions



Nominal Sheave Diam.	Throat Depth	Dim. L	Dim. H	Dim. W	Dim. A	Dim. B	Dim. C	Dim. D Sheave Diam.	Dim. G Grip Range
8" 203 mm	3/8" 9.5 mm	15" 381 mm	12 1/4" 311 mm	2 5/16" 59 mm	1 3/4" 44.5 mm	2 5/16" 58.75 mm	2" 50.8 mm	8 9/16" 217 mm	4"-9" 102-229 mm
8" 203 mm	3/4" 19 mm	15" 381 mm	12 3/8" 314 mm	2 5/16" 59 mm	1 7/8" 47.6 mm	2 5/16" 58.75 mm	1" 25.4 mm	8 9/16" 217 mm	4 1/8"-10" 105-254 mm
12" 305 mm	3/8" 9.5 mm	19" 483 mm	17" 432 mm	3 1/4" 83 mm	1 3/4" 44.5 mm	2 9/16" 65 mm	5 7/16" 138 mm	12" 305 mm	4 1/2"-10" 114-254 mm
12" 305 mm	3/4" 19 mm	19" 483 mm	17" 432 mm	3 1/4" 83 mm	1 7/8" 47.6 mm	2 7/16" 62 mm	4 3/16" 106.4 mm	12" 305 mm	5 1/2"-11" 140-279 mm