



**Universal Loft Block
2NC-10856R**

*NEW – 56 Series
750 lb. (340 kg) capacity!*

- May be mounted upright or underhung.
- May be supported by I-beams, grid wells, or Unistrut™.
- Nylon or ASTM Class 30 grey iron sheaves.
- 8" (203 mm) blocks have 24" (610 mm) base angles with a continuous pattern of holes and slots for universal mounting for a grip range up to 20" (508 mm). Multi-line block base angles have a series of mounting holes.
- 8-Line blocks have the base angles turned in, requiring different upright and underhung models.
- A clip package is available for single line blocks with a combination of J-bolts and clips for both underhung and upright mounting options.
- Sealed precision ball bearings (Single line, 8" [203 mm] nominal sheave only) or tapered roller bearings.
- Side plates fully enclose sheave.
- Five spacers between the side plates, three of which prevent cables from escaping the sheave grooves.
- Pivot adapters (070-PIVOT) are available for single line 8" (203 mm) blocks used in applications where the mounting surface is sloped.
- Underhung loft blocks may need to be welded to loft beams after final alignment – consult the factory for specific information.

Ordering Information

Sheave Diameter	Lines	Bearings	Cast Iron Prod. Code	RWL	Wt.	Nylon Prod. Code	RWL	Wt.
Cable Blocks								
8 1/2" 216 mm	1	17 mm BB	2CC-10855R	500 lbs. 227 kg	20 lbs. 9 kg	2NC-10856R	750 lbs. 340 kg	15 lbs. 6.8 kg
8 1/2" 216 mm	2	17 mm BB	2CC-20855R	700 lbs. 317 kg	20 lbs. 9 kg	2NC-20855R	530 lbs. 240 kg	16 lbs. 7.25 kg
8 1/2" 216 mm	1	17 mm TRB	3CC-10855R	500 lbs. 227 kg	20 lbs. 9 kg	3NC-10856R	750 lbs. 340 kg	15 lbs. 6.8 kg
8 1/2" 216 mm	2	17 mm TRB	3CC-20855R	700 lbs. 317 kg	20 lbs. 9 kg	3NC-20855R	530 lbs. 240 kg	16 lbs. 7.25 kg
8 1/2" 216 mm	4	1" TRB 25.4 mm	3CC-40855R	1300 lbs. 590 kg	40 lbs. 18 kg	3NC-40855R	1300 lbs. 590 kg	31 lbs. 14 kg
8 1/2" Upright 216 mm	8	1" TRB 25.4 mm	3CC-80855R	1300 lbs. 590 kg	52 lbs. 23.5 kg	3NC-80855R	1300 lbs. 590 kg	32 lbs. 14.5 kg
8 1/2" Underhung 216 mm	8	1" TRB 25.4 mm	3CC-80859R	1300 lbs. 590 kg	52 lbs. 23.5 kg	3NC-80859R	1300 lbs. 590 kg	32 lbs. 14.5 kg
8 1/2" Upright 216 mm	10	1" TRB 25.4 mm	3CC-100855	1300 lbs. 590 kg	55 lbs. 25 kg	3NC-100855	1300 lbs. 590 kg	33 lbs. 15 kg
8 1/2" Underhung 216 mm	10	1" TRB 25.4 mm	3CC-100859	1300 lbs. 590 kg	55 lbs. 25 kg	3NC-100859	1300 lbs. 590 kg	33 lbs. 15 kg
12"* 305 mm	1	1" TRB 25.4 mm	3CC-11255R	700 lbs. 317 kg	50 lbs. 22.7 kg	-	-	-
12" 305 mm	2	1" TRB 25.4 mm	3CC-21255R	1400 lbs. 634 kg	50 lbs. 22.7 kg	-	-	-
12" Upright 305 mm	8	1" TRB 25.4 mm	3CC-81255R	3000 lbs. 1361 kg	74 lbs. 33.5 kg	-	-	-
12" Underhung 305 mm	8	1" TRB 25.4 mm	3CC-81259R	2500 lbs. 1134 kg	74 lbs. 33.5 kg	-	-	-
16"* 406 mm	1	1" TRB 25.4 mm	3SC-11655R	1400 lbs. 634 kg	110 lbs. 50 kg	-	-	-
Cable Blocks (3/16" (4.76 mm) cable)								
8 1/2" 216 mm	1	17 mm BB	-	-	-	2NP-10855R	500 lbs. 317 kg	15 lbs. 6.8 kg
8 1/2" 216 mm	1	17 mm TRB	-	-	-	3NP-10855R	500 lbs. 317 kg	15 lbs. 6.8 kg
8 1/2" 216 mm	8	1" TRB 25.4 mm	-	-	-	3NP-80855R	1300 lbs. 590 kg	28 lbs. 12.7 kg
8 1/2" 216 mm	8	1" TRB 25.4 mm	-	-	-	3NP-80859R	1300 lbs. 590 kg	28 lbs. 12.7 kg
Rope Blocks								
8" 203 mm	1	17 mm BB	2CR-10855R	300 lbs. 136 kg	20 lbs. 9 kg	2NR-10855R	300 lbs. 136 kg	15 lbs. 6.8 kg
8" 203 mm	1	17 mm TRB	3CR-10855R	300 lbs. 136 kg	20 lbs. 9 kg	3NR-10855R	300 lbs. 136 kg	15 lbs. 6.8 kg

*AVAILABLE FOR 1/4" (6.35 mm) OR 3/8" (9.5 mm) CABLE, SPECIFY. (RWL FOR 1/4" (6.35 mm) GROOVE 700 LBS. (317 kg), FOR 3/8" (9.5 mm) GROOVE 1050 LBS. (476 kg))

+STEEL SHEAVE, AVAILABLE FOR 3/8" (9.5 mm) OR 1/2" (12.7 mm) CABLE, SPECIFY.

RWL: RWL is maximum load that can be applied to a block which is in "like new" condition and has been properly installed, maintained, and operated.



Design, Manufacture and Installation of Theatrical Equipment Worldwide

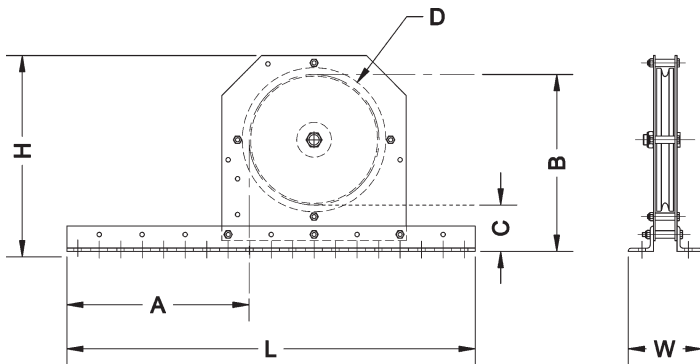
7041 Interstate Island Road ■ Syracuse, New York USA 13209-9713

315-451-3440 ■ 1-800-836-1885 ■ Fax: 315-451-1766 ■ www.jrclancy.com

© J.R. Clancy 2011



Dimensions



Nominal Sheave Diam.	Lines	Dim. L	Dim. H	Dim. W	Dim. A	Dim. B	Dim. C*	Dim. D (Sheave Diam.)	Sideplate
8" 203 mm	1	24 3/8" 619 mm	11 5/8" 295.3 mm	4 3/8" 111 mm	10 7/8" 276.2 mm	10 1/2" 266.7 mm	2 3/4" 70 mm	8 9/16" 217 mm	12 GA 2.65 mm
8" 203 mm	2	24 3/8" 619 mm	11 5/8" 295.3 mm	4 3/8" 111 mm	10 7/8" 276.2 mm	10 1/2" 266.7 mm	2 3/4" 70 mm	8 9/16" 217 mm	12 GA 2.65 mm
8" 203 mm	4	21" 533 mm	11 7/16" 290.5 mm	5 1/2" 139.7 mm	8 13/16" 223.8 mm	10 1/8" 257 mm	2 1/4" 57 mm	8 1/2" 216 mm	10 GA 3.4 mm
8" 203 mm	8	32"* 813 mm	11 7/16" 290.5 mm	5 1/2" 139.7 mm	8 13/16" 223.8 mm	10 1/8" 257 mm	2 1/4" 57 mm	8 1/2" 216 mm	10 GA 3.4 mm
8" 203 mm	10	32"* 813 mm	11 7/16" 290.5 mm	6 3/16" 157 mm	8 13/16" 223.8 mm	10 1/8" 257 mm	2 1/4" 57 mm	8 1/2" 216 mm	10 GA 3.4 mm
12" 305 mm	1	28" 711 mm	15" 381 mm	4 3/4" 120.6 mm	12 3/8" 314.3 mm	13 3/4" 349.2 mm	2 3/8" 60.3 mm	12" 305 mm	10 GA 3.4 mm
12" 305 mm	2	28" 711 mm	15" 381 mm	4 3/4" 120.6 mm	12 3/8" 314.3 mm	13 3/4" 349.2 mm	2 3/8" 60.3 mm	12" 305 mm	10 GA 3.4 mm
12" 305 mm	8	34" 864 mm	15" 381 mm	5 3/8" 136.5 mm	13 5/16" 338 mm	13 11/16" 347.7 mm	2 15/16" 74.6 mm	12" 305 mm	10 GA 3.4 mm
16" 406 mm	1	26" 660 mm	19" 483 mm	5 1/4" 133.3 mm	22 3/4" 578 mm	17 3/4" 450.8 mm	2 1/8" 54 mm	16" 406 mm	7 GA 4.55 mm

*DIMENSION TO CABLE C/L WHEN BLOCK IS USED IN UNDERHUNG APPLICATION.

+32" (813 mm) FOR UPRIGHT
21" (533 mm) FOR UNDERHUNG