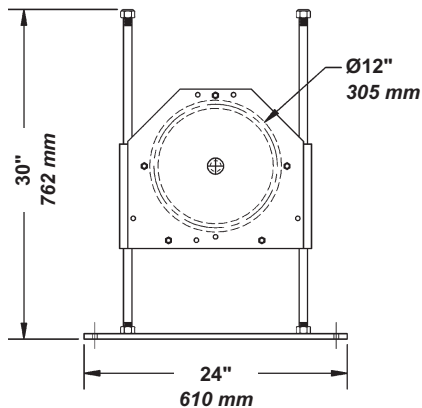
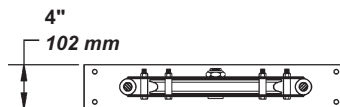


- Used with manual fire curtains to provide proper tension in the hand line.
- 12" (305 mm) diameter ASTM Class 30 grey iron sheave with machined groove for $\frac{3}{4}$ " (19 mm) or 1" (25.4 mm) rope.
- Tapered roller bearings.
- Sheave "floats" on two $\frac{3}{4}$ " (19 mm) diameter rods.

Ordering Information

Product Code	Sheave Diameter	Groove	Wt.
6CR-1218	12" 305 mm	$\frac{3}{4}$ " or 1" 19 or 25.4 mm	40 lbs. 18.1 kg

Dimensions



#6CR-1218