



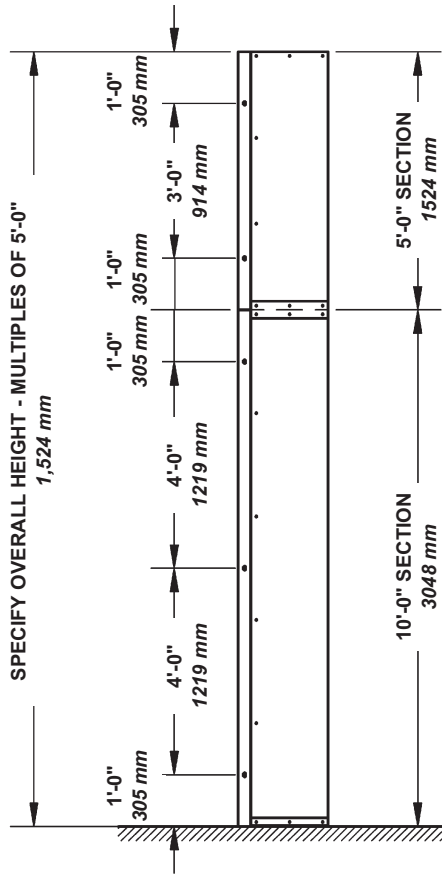
**Smoke Pocket**  
**016-106005**

- Smoke pockets contain the sides of the curtain to reduce the passage of smoke and house the curtain guides.
- Pockets consist of a 6" (152 mm) or 8" (203 mm) deep "Z" channel and 18" (457 mm) wide plates, all formed from 1/4" (6.35 mm) steel plate in 5' (1.524 m) and 10' (3.048 m) lengths. The removable 18" (457 mm) plates make smoke pocket and curtain installation faster and simpler than one piece designs.
- 6" (152 mm) pockets are used with most straight lift curtains; 8" (203 mm) deep pockets are used with brail fire curtains.
- All connections are bolted for serviceability.
- Sections anchor to the building with 1/2" (12.7 mm) bolts or anchors on 4' (1.2 m) centers.
- Pockets with guide tracks are used for fire curtains with O16-370 roller guides.

### Ordering Information

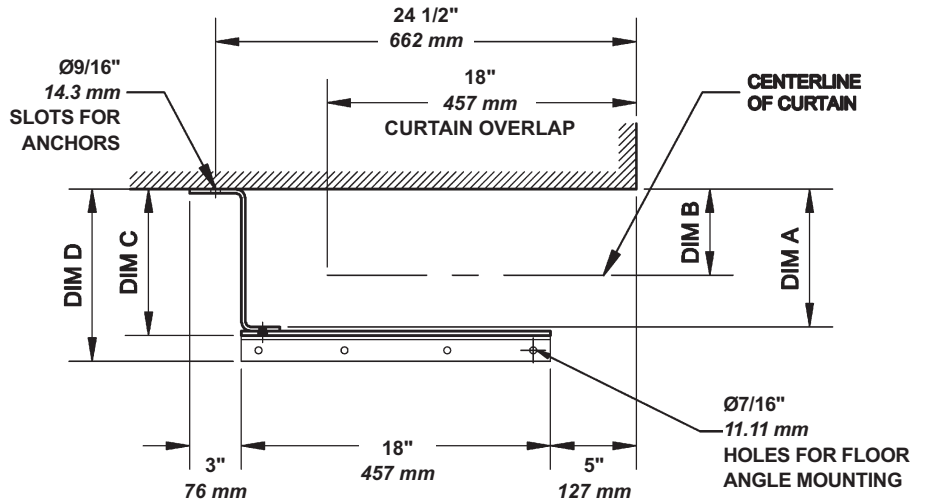
Product Code	Description	Wt.
016-106005	6" Deep x 5' high (152 mm x 1.524 m) Smoke Pocket	111 lbs. 50.3 kg
016-106010	6" Deep x 10' high (152 mm x 3.048 m) Smoke Pocket	222 lbs. 100.6 kg
016-108005	8" Deep x 5' high (203 mm x 1.524 m) Smoke Pocket	119 lbs. 54 kg
016-108010	8" Deep x 10' high (203 mm x 3.048 m) Smoke Pocket	238 lbs. 108 kg
016-106T05	6" Deep x 5' high (152 mm x 1.524 m) Smoke Pocket with track	125 lbs. 56.7 kg
016-106T10	6" Deep x 10' high (152 mm x 3.048 m) Smoke Pocket with track	250 lbs. 113.4 kg

## Dimensions



TYPICAL ELEVATION

Item Number	Height	Dim. A	Dim. B	Dim. C	Dim. D
016-106005	5' 1.5 m	6" 152 mm	3" 76 mm	6 1/2" 165 mm	8" 203 mm
016-106010	10' 3.0 m	6" 152 mm	3" 76 mm	6 1/2" 165 mm	8" 203 mm
016-108005	5' 1.5 m	8" 203 mm	5" 127 mm	8 1/2" 216 mm	10" 254 mm
016-108010	10' 3.0 m	8" 203 mm	5" 127 mm	8 1/2" 216 mm	10" 254 mm
016-106T05	5' 1.5 m	6" 152 mm	3" 76 mm	6 1/2" 165 mm	8" 203 mm
016-106T10	10' 3.0 m	6" 152 mm	3" 76 mm	6 1/2" 165 mm	8" 203 mm



TYPICAL PLAN