



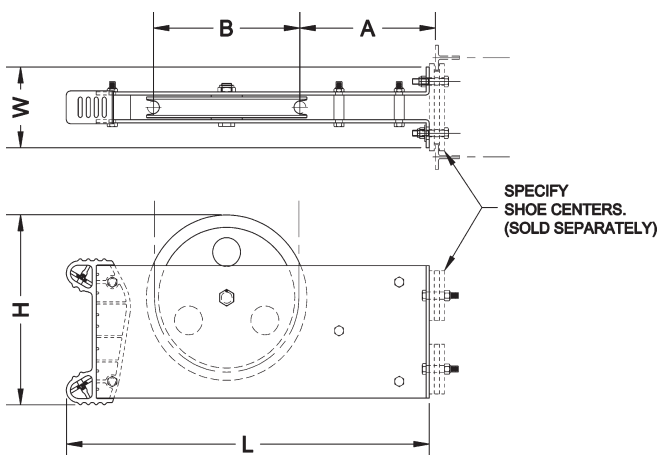
**Tension Floor Block
6CR-1015**

- Used as the return pulley for the hand line in J-Guide or T-Bar manual counterweight sets.
- Minimum 40 lbs. (18.1 kg) weight to properly tension the handline.
- Kick tab permits easy readjustment of the block.
- ASTM Class 30 grey iron sheave.
- Sealed precision 17 mm (.67") ball bearings.
- Steel shoes.
- Special grooves and shoe sizes available, consult factory.
- Also known as "Welch" tension blocks, after the J.R. Clancy employee who developed the block in 1925.

Ordering Information

Product Code	Sheave Diameter	Groove	Set Centers	Wt.
6CR-1015	10" 254 mm	3/4" 19 mm	6" or 8" 152 or 203 mm	41 lbs. 18.6 kg
6CR-1015U	10" 254 mm	3/4" 19 mm	Less than 6" (specify centers) 152 mm	43 lbs. 19.5 kg
6CR-1215	12" 305 mm	3/4" 19 mm	6" or 8" 152 or 203 mm	48 lbs. 21.8 kg

Dimensions



Nominal Sheave Diam.	Dim. L	Dim. H	Dim. W	Dim. A*	Dim. B	Dim. D (Sheave Diam.)
10" 254 mm	23" 584 mm	11 7/16" 290.5 mm	4 7/8" ⁺ 124 mm	8 1/8" 206 mm	9 3/4" 248 mm	10" 254 mm
12" 305 mm	23" 584 mm	12 7/16" 316 mm	4 7/8" 124 mm	7 7/16" 189 mm	11 1/8" 283 mm	12" 305 mm

*NOMINAL DISTANCE FROM FACE OF GUIDES.

+CONSULT FACTORY FOR "W" DIMENSIONS OF 6CR-1015U.