



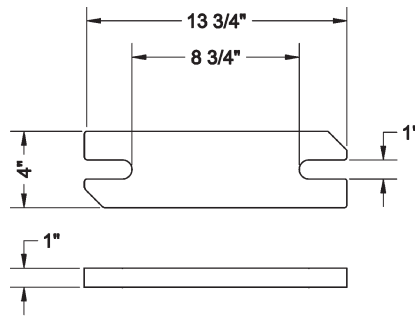
**Counterweight
009-4X1**

- Used in arbors to counterbalance the weight of the batten and scenery or lights.
- Weights are flame cut steel.
- Opposite corners have 45° notches to provide finger grips.
- 13 3/4" length, with slotted ends for 3/4" diameter arbor rods spaced on 10" centers.
- Sold in 1,000 lb. pallets.
- Actual weight can vary by ± 20% from the nominal weight.

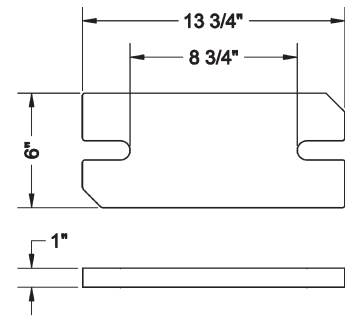
Ordering Information

Product Code	Width	Nominal Thickness	Nominal Weight
009-4X1	4"	1"	14 lbs.
009-4X2	4"	2"	28 lbs.
009-6X1	6"	1"	22 lbs.
009-6X2	6"	2"	43 lbs.

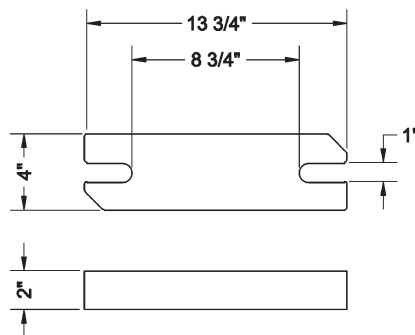
Dimensions



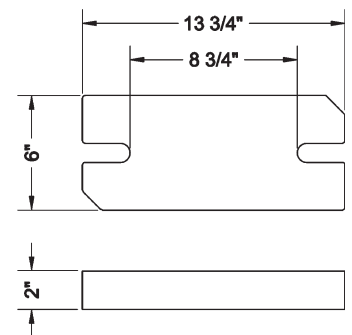
#009-4X1



#009-6X1



#009-4X2



#009-6X2