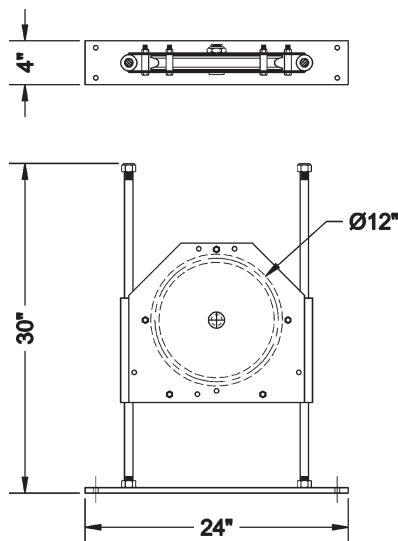


- Used with manual fire curtains to provide proper tension in the hand line.
- 12" diameter ASTM Class 30 grey iron sheave with machined groove for 3/4" or 1" rope.
- Tapered roller bearings.
- Sheave "floats" on two 3/4" diameter rods.

Ordering Information

Product Code	Sheave Diameter	Groove	Wt.
6CR-1218	12"	3/4" or 1"	40 lbs.

Dimensions



#6CR-1218