

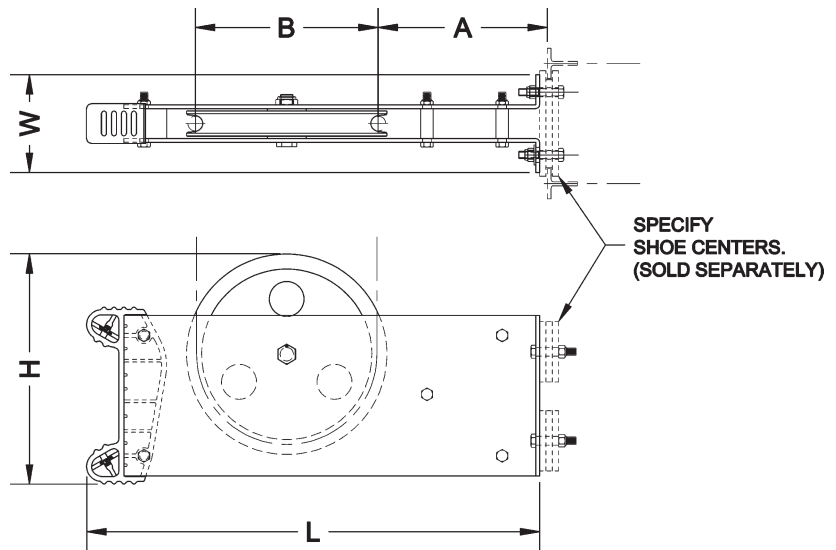
**Tension Floor Block
6CR-1015**

- Used as the return pulley for the hand line in J-Guide or T-Bar manual counterweight sets.
- Minimum 40 lbs. weight to properly tension the handline.
- Kick tab permits easy readjustment of the block.
- ASTM Class 30 grey iron sheave.
- Sealed precision 17mm ball bearings.
- Steel shoes.
- Special grooves and shoe sizes available, consult factory.
- Also known as "Welch" tension blocks, after the J.R. Clancy employee who developed the block in 1925.

Ordering Information

Product Code	Sheave Diameter	Groove	Set Centers	Wt.
6CR-1015	10"	3/4"	6" or 8"	41 lbs.
6CR-1015U	10"	3/4"	Less than 6" (specify centers)	43 lbs.
6CR-1215	12"	3/4"	6" or 8"	48 lbs.

Dimensions



Nominal Sheave Diam.	Dim. L	Dim. H	Dim. W	Dim. A*	Dim. B	Dim. D (Sheave Diam.)
10"	23"	11 7/16"	4 7/8"+	8 1/8"	9 3/4"	10"
12"	23"	12 7/16"	4 7/8"	7 7/16"	11 1/8"	12"

*NOMINAL DISTANCE FROM FACE OF GUIDES.
 +CONSULT FACTORY FOR "W" DIMENSIONS OF 6CR-1015U.