



**Underhung Head Block  
1CS-61259R**

- Underhung style, normally supported by two structural I-beams.
- ASTM Class 30 grey iron or nylon sheave.
- Equal pitch diameter on rope and cable grooves for smooth operation.
- Tapered roller bearings.
- Base angle legs turned in to allow close mounting centers.
- 10 gauge side plates fully enclose sheave; 16" blocks have 7 gauge side plates.
- Side plates are bolted and welded to the base angles for extra strength.
- Six spacers between the side plates, three prevent cables from escaping the sheave grooves.
- Base angles punched with a hole pattern for simple easy installations.
- Mounting clips available, please provide steel dimensions.
- **Underhung blocks may need to be welded to head beams after final alignment.** Clip angles are recommended for double beam mounting. Mounting with clips or to single beams will require welding. Consult the factory for specific information.

**Ordering Information**

| Sheave Dia. | Rope Dia. | Lines     | Bearings | Cast Iron Prod. Code | RWL       | Wt.      | Nylon Prod. Code | RWL       | Wt.     |
|-------------|-----------|-----------|----------|----------------------|-----------|----------|------------------|-----------|---------|
| 8"          | 3/4"      | 6 @ 1/4"  | 1"       | 1CS-60859R           | 1300 lbs. | 46 lbs.  | -                | -         | -       |
| 8"          | 3/4"      | 8 @ 1/4"  | 1"       | 1CS-80859R           | 1300 lbs. | 52 lbs.  | -                | -         | -       |
| 12"         | 3/4"      | 6 @ 1/4"  | 1"       | 1CS-61259R           | 3000 lbs. | 72 lbs.  | 1NS-61259R       | 3000 lbs. | 40 lbs. |
| 12"         | 3/4"      | 8 @ 1/4"  | 1"       | 1CS-81259R           | 3000 lbs. | 79 lbs.  | 1NS-81259R       | 3000 lbs. | 41 lbs. |
| 12"         | 3/4"      | 10 @ 1/4" | 1"       | 1CS-101259           | 3000 lbs. | 86 lbs.  | -                | -         | -       |
| 16"         | 1"        | 6 @ 3/8"  | 1 1/2"   | 1CS-61659R           | 3600 lbs. | 139 lbs. | -                | -         | -       |
| 16"         | 1"        | 8 @ 3/8"  | 1 1/2"   | 1CS-81659R           | 3600 lbs. | 147 lbs. | -                | -         | -       |

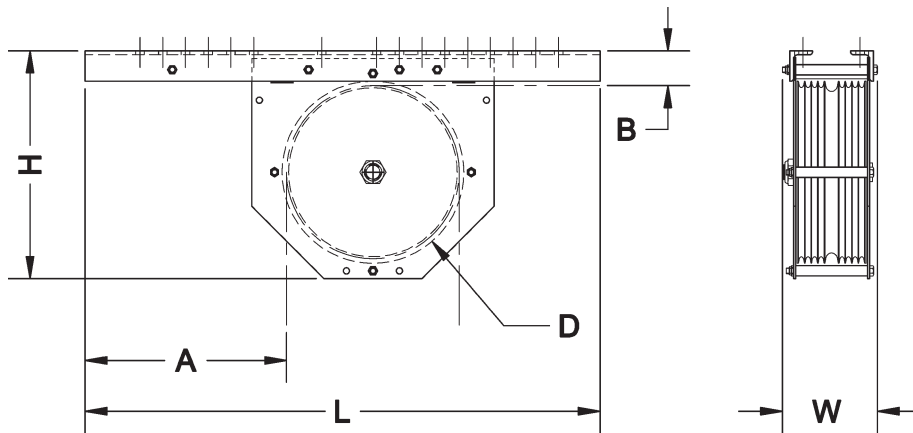
**Double Purchase:** Change "S" to "D" in the part number for double purchase head blocks. Consult Factory for RWL on double purchase blocks.

**Wire Guide Blocks:** Change the "R" suffix to "W" in the part number for blocks with tieoffs for arbor wire guides.

**Tieoffs:** Tieoffs for wire guided clews are also available.

**RWL:** RWL is maximum load that can be applied to a block which is in "like new" condition and has been properly installed, maintained and operated.

Dimensions



| Nominal Sheave Diam. | Lines | Dim. L | Dim. H  | Dim. W | Dim. A   | Dim. B  | Dim. D (Sheave Diam.) |
|----------------------|-------|--------|---------|--------|----------|---------|-----------------------|
| 8"                   | 6     | 32"    | 117/16" | 5 3/8" | 15 1/16" | 2 3/16" | 8 1/2"                |
| 8"                   | 8     | 32"    | 117/16" | 6 3/8" | 15 1/16" | 2 3/16" | 8 1/2"                |
| 12"                  | 6     | 34"    | 15"     | 5 3/8" | 13 5/16" | 2 3/16" | 12"                   |
| 12"                  | 8     | 34"    | 15"     | 6 3/8" | 13 5/16" | 2 3/16" | 12"                   |
| 12"                  | 10    | 34"    | 15"     | 7 1/4" | 13 5/16" | 2 3/16" | 12"                   |
| 16"                  | 6*    | 34"    | 19"     | 6 5/8" | 11 7/16" | 2 3/16" | 16"                   |
| 16"                  | 8*    | 34"    | 19"     | 7 5/8" | 11 7/16" | 2 3/16" | 16"                   |

\*STANDARD 16" SHEAVE GROOVING IS FOR 3/8" CABLE AND 1" ROPE, 1/4" CABLE AND 3/4" ROPE ARE AVAILABLE.