



**Universal Loft Block  
2NC-10855R**

*NEW – 56 Series  
750 lb capacity!*

- May be mounted upright or underhung.
- May be supported by I-beams, grid wells, or Unistrut™.
- Nylon or ASTM Class 30 grey iron sheaves.
- 8" blocks have 24" base angles with a continuous pattern of holes and slots for universal mounting for a grip range up to 20". Multi-line block base angles have a series of mounting holes.
- 8-Line blocks have the base angles turned in, requiring different upright and underhung models.
- A clip package is available for single line blocks with a combination of J-bolts and clips for both underhung, and upright mounting options.
- Sealed precision ball bearings (Single line, 8" nominal sheave only) or tapered roller bearings.
- Side plates fully enclose sheave.
- Five spacers between the side plates, three of which prevent cables from escaping the sheave grooves.
- Pivot adapters (070-PIVOT) are available for single line 8" blocks used in applications where the mounting surface is sloped.
- Underhung loft blocks may need to be welded to loft beams after final alignment – consult the factory for specific information.

**Ordering Information**

Sheave Diameter	Lines	Bearings	Cast Iron Prod. Code	RWL	Wt.	Nylon Prod. Code	RWL	Wt.
<b>Cable Blocks</b>								
8 1/2"	1	17 mm BB	2CC-10855R	500 lbs.	20 lbs.	2NC-10856R	750 lbs.	15 lbs.
8 1/2"	2	17 mm BB	2CC-20855R	700 lbs.	20 lbs.	2NC-20855R	530 lbs.	16 lbs.
8 1/2"	1	17 mm TRB	3CC-10855R	500 lbs.	20 lbs.	3NC-10856R	750 lbs.	15 lbs.
8 1/2"	2	17 mm TRB	3CC-20855R	700 lbs.	20 lbs.	3NC-20855R	530 lbs.	16 lbs.
8 1/2"	4	1" TRB	3CC-40855R	1300 lbs.	40 lbs.	3NC-40855R	1300 lbs.	31 lbs.
8 1/2" Upright	8	1" TRB	3CC-80855R	1300 lbs.	52 lbs.	3NC-80855R	1300 lbs.	32 lbs.
8 1/2" Underhung	8	1" TRB	3CC-80859R	1300 lbs.	52 lbs.	3NC-80859R	1300 lbs.	32 lbs.
8 1/2" Upright	10	1" TRB	3CC-100855	1300 lbs.	55 lbs.	3NC-100855	1300 lbs.	33 lbs.
8 1/2" Underhung	10	1" TRB	3CC-100859	1300 lbs.	55 lbs.	3NC-100859	1300 lbs.	33 lbs.
12"*	1	1" TRB	3CC-11255R	700 lbs.	50 lbs.	-	-	-
12"	2	1" TRB	3CC-21255R	1400 lbs.	50 lbs.	-	-	-
12" Upright	8	1" TRB	3CC-81255R	3000 lbs.	74 lbs.	-	-	-
12" Underhung	8	1" TRB	3CC-81259R	2500 lbs.	74 lbs.	-	-	-
16"+	1	1" TRB	3SC-11655R	1400 lbs.	110 lbs.	-	-	-

\*AVAILABLE FOR 1/4" OR 3/8" CABLE, SPECIFY. (RWL FOR 1/4" GROOVE 700 LBS., FOR 3/8" GROOVE 1050 LBS.)

+STEEL SHEAVE, AVAILABLE FOR 3/8" OR 1/2" CABLE, SPECIFY.

**RWL:** RWL is maximum load that can be applied to a block which is in "like new" condition and has been properly installed, maintained and operated.



**Design, Manufacture and Installation of Theatrical Equipment Worldwide**

7041 Interstate Island Road ■ Syracuse, New York USA 13209-9713  
 315-451-3440 ■ 1-800-836-1885 ■ Fax: 315-451-1766 ■ www.jrclancy.com  
 © J.R. Clancy 2010



Ordering Information (Continued)

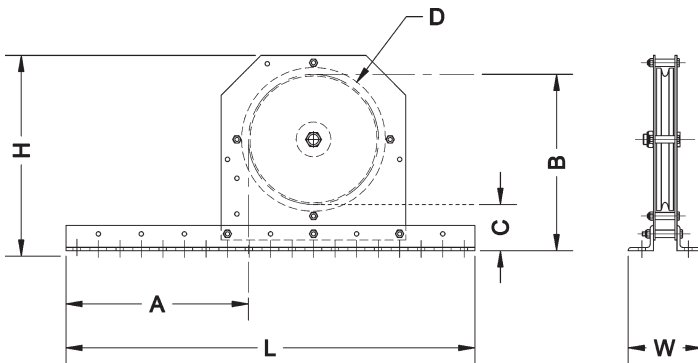
Sheave Diameter	Lines	Bearings	Cast Iron Prod. Code	RWL	Wt.	Nylon Prod. Code	RWL	Wt.
<b>Cable Blocks</b> (3/16" cable)								
8 1/2"	1	17 mm BB	–	–	–	2NP-10855R	500 lbs.	15 lbs.
8 1/2"	1	17 mm TRB	–	–	–	3NP-10855R	500 lbs.	15 lbs.
8 1/2"	8	1" TRB	–	–	–	3NP-80855R	1300 lbs.	28 lbs.
8 1/2"	8	1" TRB	–	–	–	3NP-80859R	1300 lbs.	28 lbs.
<b>Rope Blocks</b>								
8"	1	17 mm BB	2CR-10855R	300 lbs.	20 lbs.	2NR-10855R	300 lbs.	15 lbs.
8"	1	17 mm TRB	3CR-10855R	300 lbs.	20 lbs.	3NR-10855R	300 lbs.	15 lbs.

\*AVAILABLE FOR 1/4" OR 3/8" CABLE, SPECIFY. (RWL FOR 1/4" GROOVE 700 LBS., FOR 3/8" GROOVE 1050 LBS.)

+STEEL SHEAVE, AVAILABLE FOR 3/8" OR 1/2" CABLE, SPECIFY.

**RWL:** RWL is maximum load that can be applied to a block which is in "like new" condition and has been properly installed, maintained and operated.

Dimensions



Nominal Sheave Diam.	Lines	Dim. L	Dim. H	Dim. W	Dim. A	Dim. B	Dim. C*	Dim. D (Sheave Diam.)	Sideplate
8"	1	24 3/8"	11 5/8"	4 3/8"	10 7/8"	10 1/2"	2 3/4"	8 9/16"	12 GA
8"	2	24 3/8"	11 5/8"	4 3/8"	10 7/8"	10 1/2"	2 3/4"	8 9/16"	12 GA
8"	4	21"	11 7/16"	5 1/2"	8 13/16"	10 1/8"	2 1/4"	8 1/2"	10 GA
8"	8	32"+	11 7/16"	5 1/2"	8 13/16"	10 1/8"	2 1/4"	8 1/2"	10 GA
8"	10	32"+	11 7/16"	6 3/16"	8 13/16"	10 1/8"	2 1/4"	8 1/2"	10 GA
12"	1	28"	15"	4 3/4"	12 3/8"	13 3/4"	2 3/8"	12"	10 GA
12"	2	28"	15"	4 3/4"	12 3/8"	13 3/4"	2 3/8"	12"	10 GA
12"	8	34"	15"	5 3/8"	13 5/16"	13 11/16"	2 15/16"	12"	10 GA
16"	1	26"	19"	5 1/4"	22 3/4"	17 3/4"	2 1/8"	16"	7 GA

\*DIMENSION TO CABLE C/L WHEN BLOCK IS USED IN UNDERHUNG APPLICATION.

+32" FOR UPRIGHT  
21" FOR UNDERHUNG