

- Underhung style, supported by a single structural beam.
- Nylon or ASTM Class 30 grey iron sheaves.
- Sealed precision ball bearings (Single line, 8" nominal sheave only) or tapered roller bearings.
- 10 gauge side plates.
- 3/4" drawbolt and steel clip allow a 5" grip adjustment to accommodate a range of beam sizes.
- A minimum of three spacers between the side plates; to prevent cables from escaping the sheave grooves.

**Loft Block
2CC-10819R**

Ordering Information

Sheave Diameter	Lines	Bearings	Cast Iron Prod. Code	RWL	Wt.	Nylon Prod. Code	RWL	Wt.
Cable Blocks (1/4" cable)								
8 1/2"	1	17 mm BB	2CC-10819R	500 lbs.	14 lbs.	2NC-10819R	500 lbs.	9 lbs.
8 1/2"	2	17 mm BB	2CC-20819R	500 lbs.	14 lbs.	2NC-20819R	500 lbs.	10 lbs.
8 1/2"	1	17 mm TRB	3CC-10819R	500 lbs.	14 lbs.	3NC-10819R	500 lbs.	9 lbs.
8 1/2"	2	17 mm TRB	3CC-20819R	500 lbs.	14 lbs.	3NC-20819R	500 lbs.	10 lbs.
8 1/2"	4	1" TRB	3CC-40819R	1300 lbs.	34 lbs.	3NC-40819R	1300 lbs.	25 lbs.
8 1/2"	8	1" TRB	3CC-80819R	1300 lbs.	44 lbs.	3NC-80819R	1300 lbs.	28 lbs.
12"*	1	1" TRB	3CC-11219R	700 lbs.	47 lbs.	-	-	-
Cable Blocks (3/16" cable)								
8 1/2"	1	17 mm BB	-	-	-	2NP-10819R	500 lbs.	9 lbs.
8 1/2"	1	17 mm TRB	-	-	-	3NP-10819R	500 lbs.	9 lbs.
8 1/2"	8	1" TRB	-	-	-	3NP-80819R	1300 lbs.	28 lbs.
Rope Blocks (3/4" rope)								
8"	1	17 mm BB	2CR-10819R	500 lbs.	14 lbs.	2NR-10819R	700 lbs.	9 lbs.
8"	1	17 mm TRB	3CR-10819R	500 lbs.	14 lbs.	3NR-10819R	700 lbs.	9 lbs.

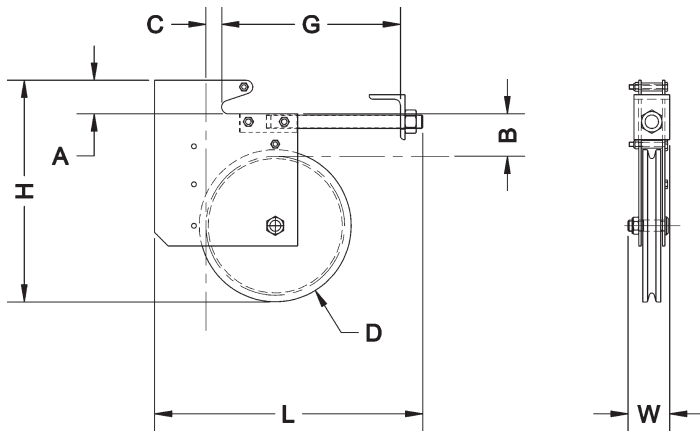
*AVAILABLE FOR 1/4" OR 3/8" CABLE, SPECIFY.

19 Series blocks grip the bottom flanges of beams. Blocks have a 3/8" throat with a grip range of 4" - 9". Change the suffix from "R" to "U" for a 3/4" throat with a 4 1/8" - 10" grip range.

To add Idlers to 8" Underhung Blocks — Change last letter to "I3" or "I6" to indicate 3 or 6 idler grooves.

RWL: RWL is maximum load that can be applied to a block which is in "like new" condition and has been properly installed, maintained and operated.

Dimensions



Nominal Sheave Diam.	Throat Depth	Dim. L	Dim. H	Dim. W	Dim. A	Dim. B	Dim. C	Dim. D Sheave Diam.	Dim. G Grip Range
8"	3/8"	15"	12 1/4"	2 5/16"	1 3/4"	2 5/16"	2"	8 9/16"	4"-9"
8"	3/4"	15"	12 3/8"	2 5/16"	1 7/8"	2 5/16"	1"	8 9/16"	4 1/8"-10"
12"	3/8"	19"	17"	3 1/4"	1 3/4"	2 9/16"	5 7/16"	12"	4 1/2"-10"
12"	3/4"	19"	17"	3 1/4"	1 7/8"	2 7/16"	4 3/16"	12"	5 1/2"-11"