

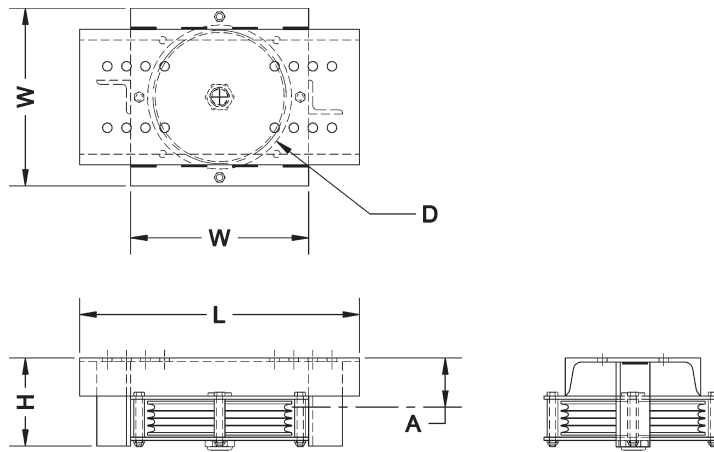
**Mule Block (Shown with
Optional Clew Bracket)
5C3-40812C**

- Used to divert the cables around obstructions or change direction of travel.
- ASTM Class 30 grey iron sheave.
- Sealed precision ball bearings or tapered roller bearings.
- 7 gauge side plates fully enclose sheave.
- Base made from 8" structural steel channel.
- Four spacers between the side plates prevent cables from escaping the sheave grooves.
- **Mule blocks must be welded in place after final alignment** – consult the factory for specific information.

Ordering Information

Sheave Diameter	Lines	Bearings	Cast Iron Prod. Code	RWL	Wt.
8 5/8"	1	17 mm BB	5C2-10812C	–	30 lbs.
8 5/8"	2	17 mm BB	5C2-20812C	–	31 lbs.
8 5/8"	1	17 mm TRB	5C3-10812C	–	30 lbs.
8 5/8"	2	17 mm TRB	5C3-20812C	–	31 lbs.
8 5/8"	4	1" TRB	5C3-40812C	–	49 lbs.
8 5/8"	8	1" TRB	5C3-80812C	–	56 lbs.
12"	1	1" TRB	5C3-11212C	–	50 lbs.
12"	2	1" TRB	5C3-41212C	–	50 lbs.
12"	8	1" TRB	5C3-81212C	–	74 lbs.

Dimensions



Nominal Sheave Diam.	Lines	Dim. L	Dim. H	Dim. W	Dim. A	Dim. D (Sheave Diam.)
8"	1	16 1/2"	4 1/16"	10 1/2"	3 1/16"	8 1/2"
8"	2	16 1/2"	4 1/16"	10 1/2"	2 13/16"	8 1/2"
8"	4	16 1/2"	5 1/4"	10 1/2"	2 15/16"	8 1/2"
8"	8	16 1/2"	6 13/16"	10 1/2"	2 7/8"	8 1/2"
12"	1	18"	5 1/16"	14"	3 13/16"	12"
12"	2	18"	5 1/16"	14"	3"	12"
12"	8	18"	6 15/16"	14"	2 7/8"	12"