

- Blocks may be mounted upright or underhung.
- Blocks with three or more sheaves are constructed with the base angle legs turned in to allow close mounting centers. Base angles are notched to clear ropes and cables.
- Nylon or ASTM Class 30 grey iron sheaves.
- 17 mm sealed precision ball bearings.
- 12 gauge side plates located outside and between sheaves.

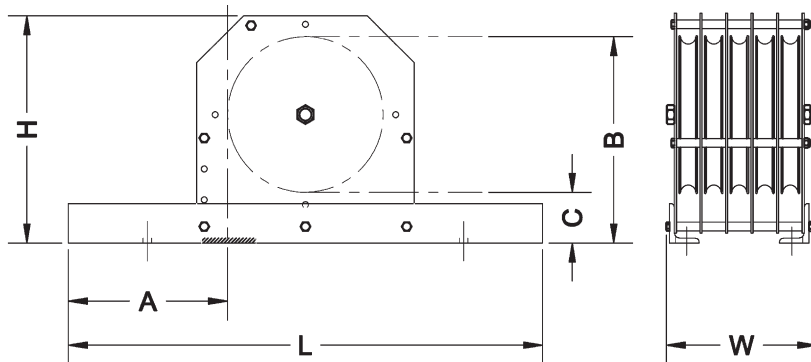
**Upright Multi-Sheave Block  
4NR-20855R**

**Ordering Information**

Sheave Diameter	Lines	Bearings	Cast Iron Prod. Code	RWL	Wt.	Nylon Prod. Code	RWL	Wt.
8 5/8"	2	17 mm BB	4CR-20855R	900 lbs.	27 lbs.	4NR-20855R	900 lbs.	21 lbs.
8 5/8"	3	17 mm BB	4CR-30855R	900 lbs.	35 lbs.	4NR-30855R	900 lbs.	26 lbs.
8 5/8"	4	17 mm BB	4CR-40855R	900 lbs.	42 lbs.	4NR-40855R	900 lbs.	31 lbs.
8 5/8"	5	17 mm BB	4CR-50855R	900 lbs.	50 lbs.	4NR-50855R	900 lbs.	36 lbs.

Change the 3rd character from "R" (3/4" rope) to "C" for 1/4" cable.

**Dimensions**



Nominal Sheave Diam.	Lines	Dim. L	Dim. H	Dim. W	Dim. A	Dim. B	Dim. C*	Dim. D (Sheave Diam.)
8"	2+	24"	11 1/2"	5 11/16"	8 1/16"	10 7/16"	2 9/16"	8"
8"	3	24"	11 1/2"	5"	8 1/16"	10 7/16"	2 9/16"	8"
8"	4	24"	11 1/2"	6 1/2"	8 1/16"	10 7/16"	2 9/16"	8"
8"	5	24"	11 1/2"	7 5/8"	8 1/16"	10 7/16"	2 9/16"	8"

\*DIMENSION TO 3/4" DIA ROPE C/L WHEN BLOCK IS USED IN UNDERHUNG APPLICATION.  
+2 LINE BLOCK HAS BASE ANGLES TURNED OUTWARD.



**Design, Manufacture and Installation of Theatrical Equipment Worldwide**  
7041 Interstate Island Road ■ Syracuse, New York USA 13209-9713  
315-451-3440 ■ 1-800-836-1885 ■ Fax: 315-451-1766 ■ www.jrclancy.com  
© J.R. Clancy 2008

