



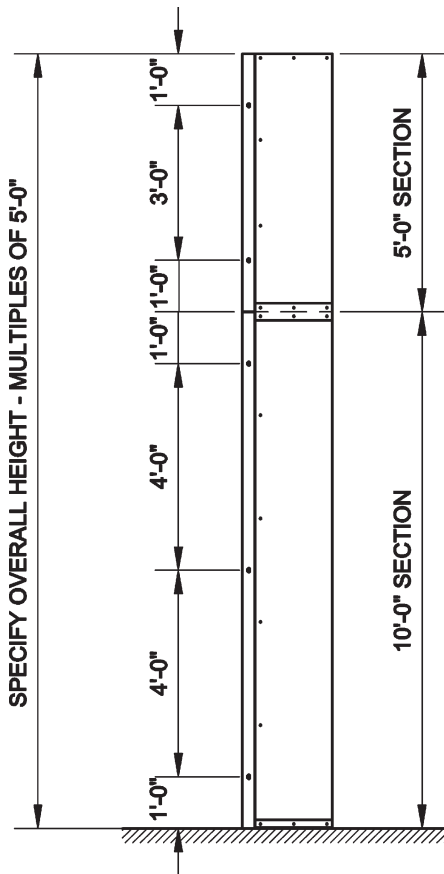
Smoke Pocket
016-106005

- Smoke pockets contain the sides of the curtain to reduce the passage of smoke and house the curtain guides.
- Pockets consist of a 6" or 8" deep "Z" channel and 18" wide plates, all formed from 1/4" steel plate in 5' and 10' lengths. The removable 18" plates make smoke pocket and curtain installation faster and simpler than one piece designs.
- 6" pockets are used with most straight lift curtains; 8" deep pockets are used with brail fire curtains.
- All connections are bolted for serviceability.
- Sections anchor to the building with 1/2" bolts or anchors on 4' centers.
- Pockets with guide tracks are used for fire curtains with 016-370 roller guides.

Ordering Information

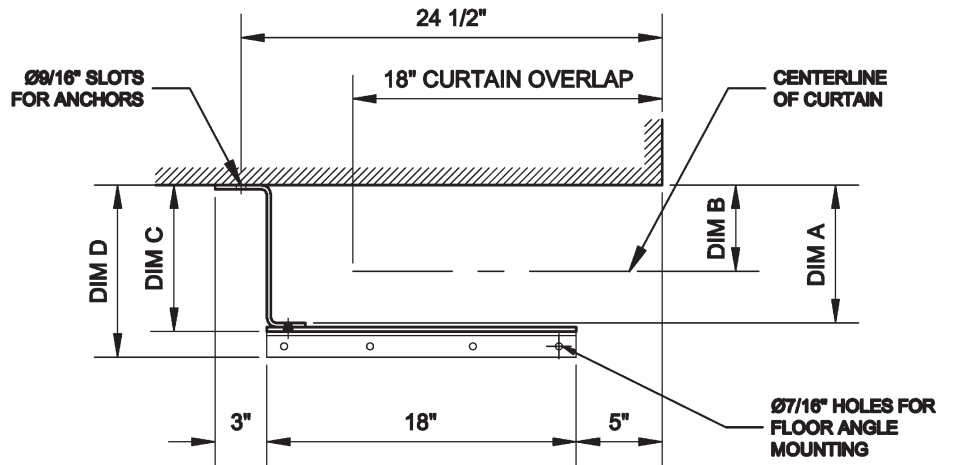
Product Code	Description	Wt.
016-106005	6" Deep x 5' high Smoke Pocket	111 lbs.
016-106010	6" Deep x 10' high Smoke Pocket	222 lbs.
016-108005	8" Deep x 5' high Smoke Pocket	119 lbs.
016-108010	8" Deep x 10' high Smoke Pocket	238 lbs.
016-106T05	6" Deep x 5' high Smoke Pocket with track	125 lbs.
016-106T10	6" Deep x 10' high Smoke Pocket with track	250 lbs.

Dimensions



TYPICAL ELEVATION

Item Number	Height	Dim. A	Dim. B	Dim. C	Dim. D
016-106005	5'	6"	3"	6 1/2"	8"
016-106010	10'	6"	3"	6 1/2"	8"
016-108005	5'	8"	5"	8 1/2"	10"
016-108010	10'	8"	5"	8 1/2"	10"
016-106T05	5'	6"	3"	6 1/2"	8"
016-106T10	10'	6"	3"	6 1/2"	8"



TYPICAL PLAN