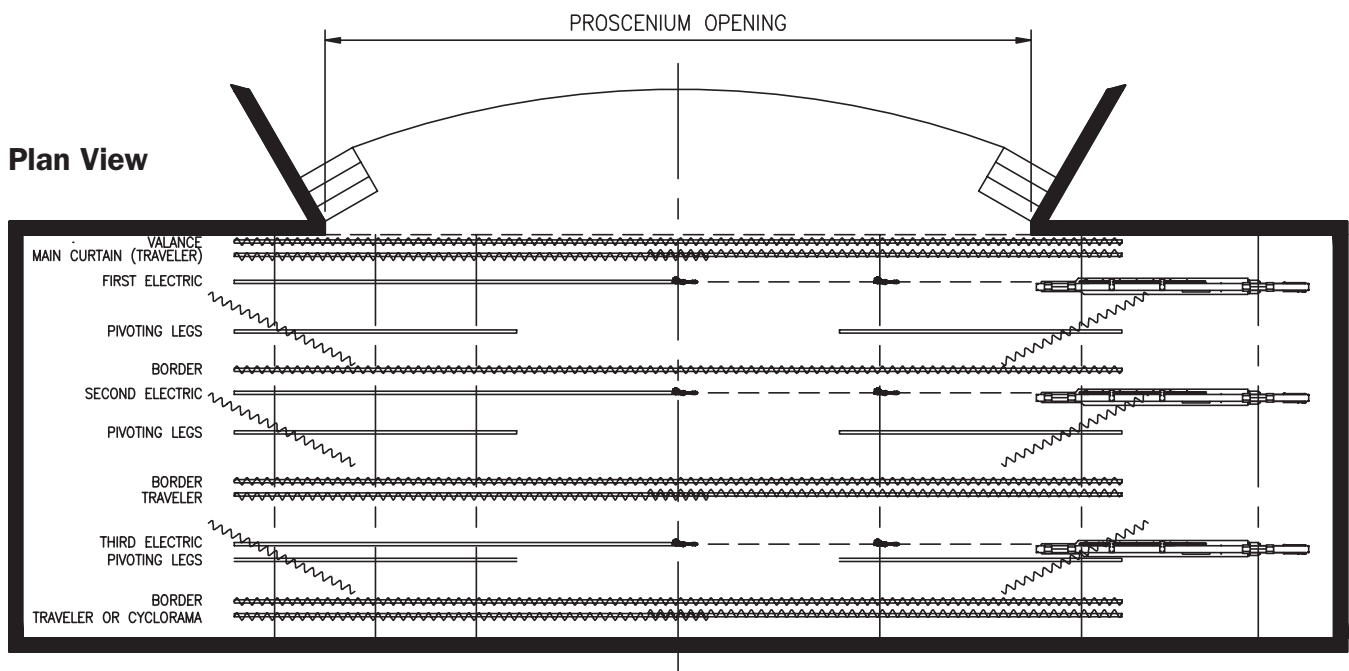




Middle School

Theatrical Rigging Package

This package provides rigging equipment for a small proscenium stage that does not have a fly tower. This type of stage is typically part of a small auditorium or a mixed use space such as a cafetorium or gymnasium. It's ideal for lectures, choral or small band performances, skits, or class plays that do not require flown scenery.



Features

- **Motorized lighting battens** allow the lighting down to floor level for maintenance and adjustment. Reduces or eliminates the need to climb ladders.
- **Dead hung battens** for curtains, including curtain tracks and pivots for leg curtains to accommodate different performance types.
- **Complete curtain package option available.**

Bill of Materials

- 3 PowerLift® hoists, model 018-P0220, with 2,000 lbs. lifting capacity at 20 feet per minute (fpm). Provided complete with head block, loft blocks, lift lines with terminations, batten, UL Listed fixed speed starter.
- 1 Three channel, push button control station, with key operated On/Off switch and redundant E-Stop button.
- 7 Battens with suspension lines with fittings, including beam clamps.
- 3 Pairs of short battens for leg curtains.

Options

PowerLift Mounting

PowerLift hoists are shown mounted horizontally. They may also be mounted vertically on the stage walls, which may reduce costs.

Optional Curtain Package

- Main bi-parting traveler curtain with valance, in your choice of standard colors.
- 2 Bi-parting traveler curtains, located mid-stage and at the rear of the stage. A cyclorama can be substituted for the rear stage traveler at a slight premium.
- 3 Border curtains.
- 3 Pairs of leg curtains.

Lighting Package

We'll work with you to develop a sensible lighting package to meet your technical requirements and budget.

Front of House Lighting Hoist

A front of house lighting position, over the audience, is essential. If it is not possible to put a catwalk at this position, we can provide a motorized hoist to lower the lighting equipment into the audience area for maintenance and adjustment.

Set Schedule

SET	OFFSET	FUNCTION	NOTES
1	6"	Valance	Dead Hung
2	1'	Main Curtain	Dead Hung with Track
3	2'	1st Electric	PowerLift Hoist, 2,000 lbs, 20 fpm
4	4'	Pivoting Legs	Dead Hung
5	6'	Border	Dead Hung
6	7'	2nd Electric	PowerLift Hoist, 2,000 lbs, 20 fpm
7	9'	Pivoting Legs	Dead Hung
8	11'	Border	Dead Hung
9	12'	Traveler	Dead Hung with Track
10	14'	3rd Electric	PowerLift Hoist, 2,000 lbs, 20 fpm
11	15'	Pivoting Legs	Dead Hung
12	17'	Border	Dead Hung
13	18'	Cyclorama	Dead Hung

Customization

The drawings and set schedule shown are typical arrangements. Your J.R. Clancy representative can work with you to customize this package to meet your specific needs.

Access

A maintenance gallery or other access means is required for annual inspection and maintenance of the PowerLifts.

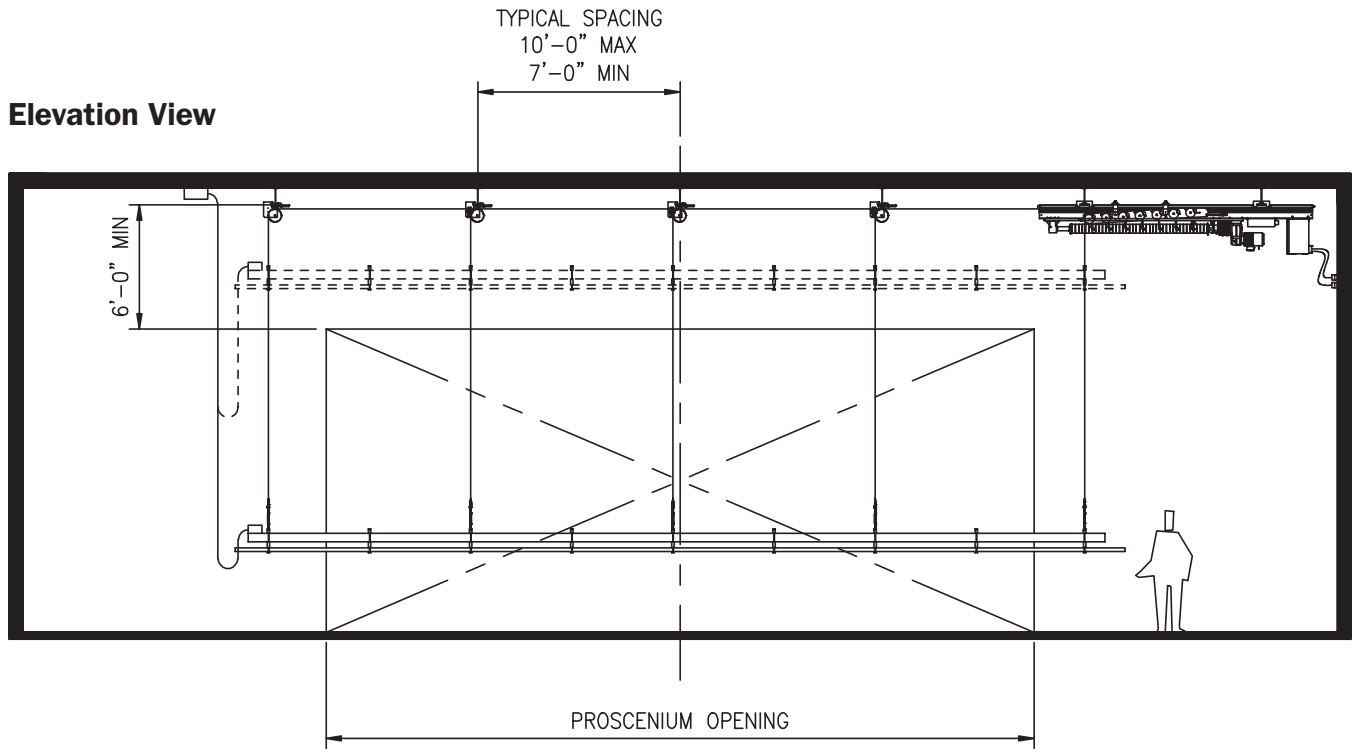
More Information

Complete specifications are available in CSI format. A plan, section, and elevation are available in AutoCAD dwg format.

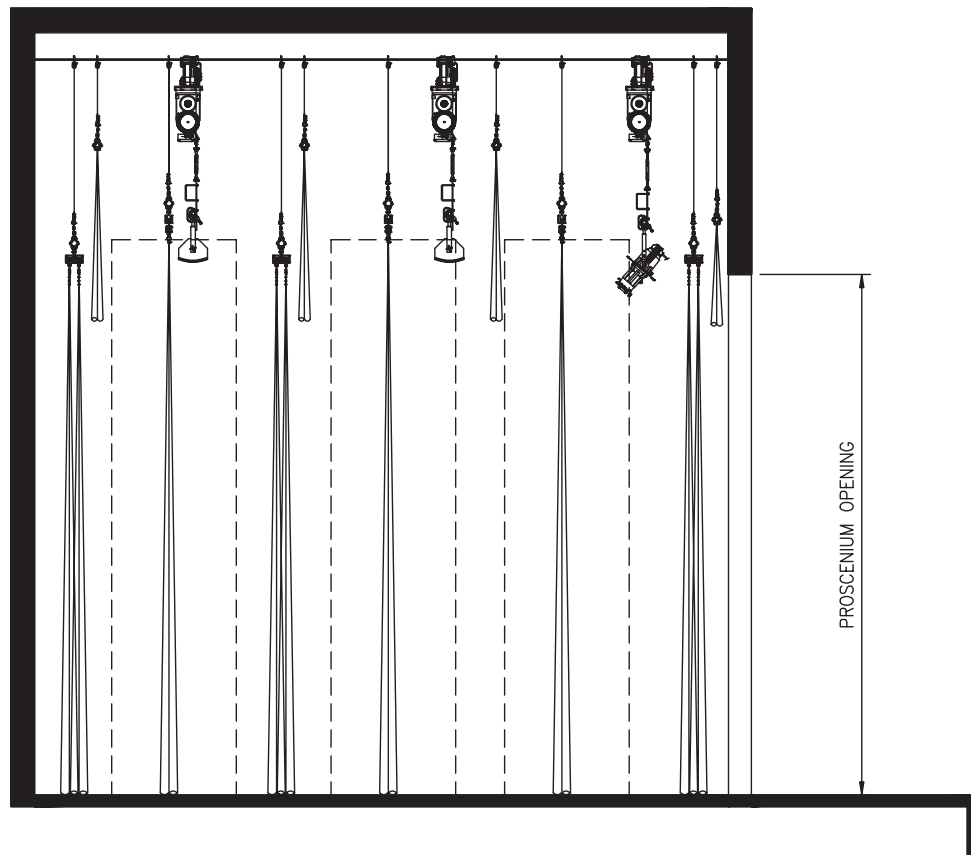
A comprehensive *System Design Guide* is available in hard copy or easily accessed online at www.jrclancy.com (under the "Design" tab). This guide leads you through the various types of rigging systems and the decisions required during the design process.

For budgets, detailed electrical risers, and other information please call 1-800-836-1885 or email us at rigging@jrclancy.com.

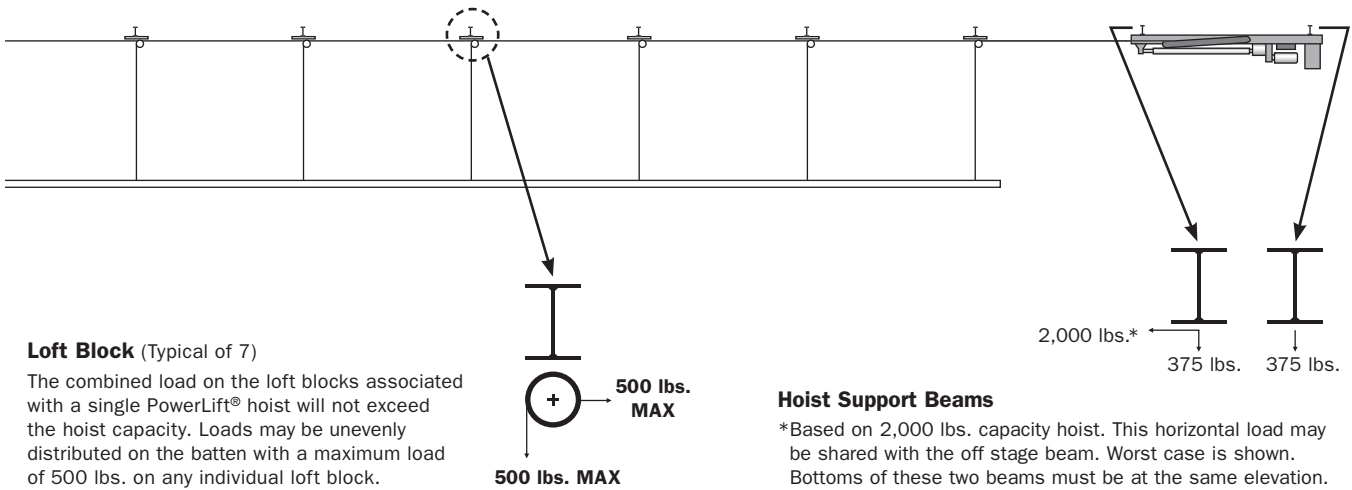
Elevation View



Section View



Structural Loading

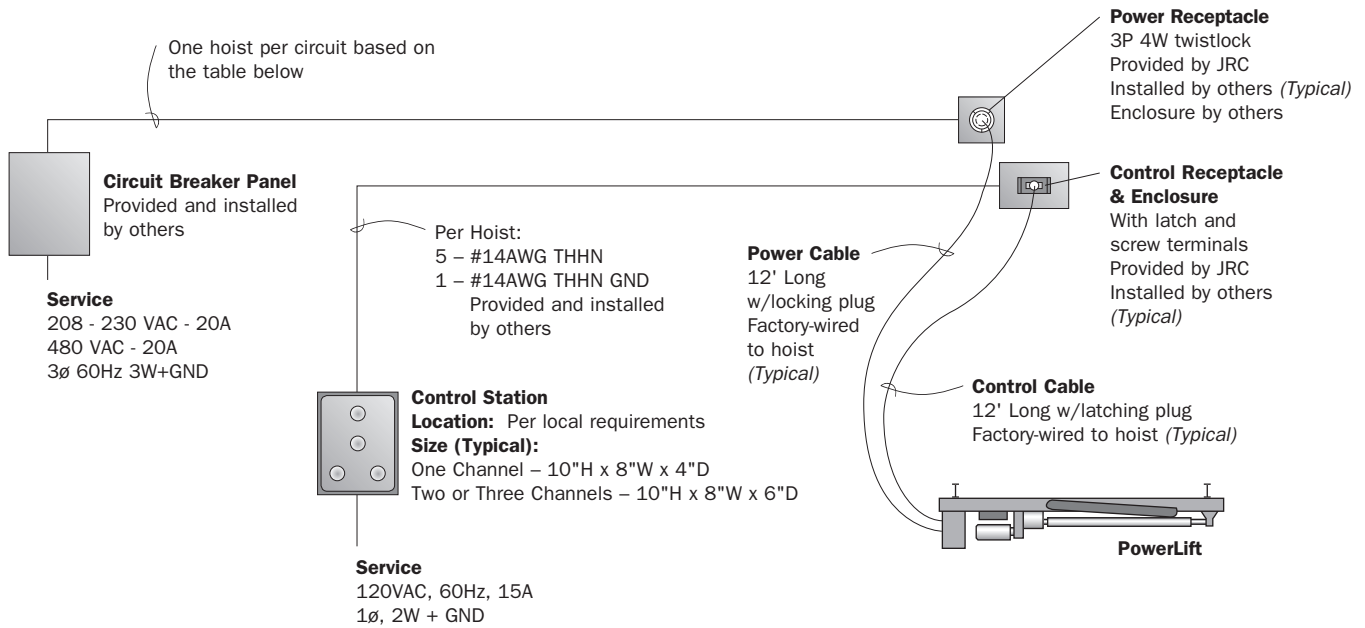


Loft Block (Typical of 7)
 The combined load on the loft blocks associated with a single PowerLift® hoist will not exceed the hoist capacity. Loads may be unevenly distributed on the batten with a maximum load of 500 lbs. on any individual loft block.

Hoist Support Beams
 *Based on 2,000 lbs. capacity hoist. This horizontal load may be shared with the off stage beam. Worst case is shown. Bottoms of these two beams must be at the same elevation.

PowerLift with Push Button Control One Line Riser — Typical

This drawing is for planning purposes. A project specific electrical drawing will be provided on request.



ELECTRICAL REQUIREMENTS					
MODEL	SPEED, CAPACITY	HP	CURRENT DRAW		
			208 V	220 - 240 V	440 - 480 V
018-P0220	20 fpm, 2,000 lbs.	1.5	5.3 A	4.8 A	2.4 A